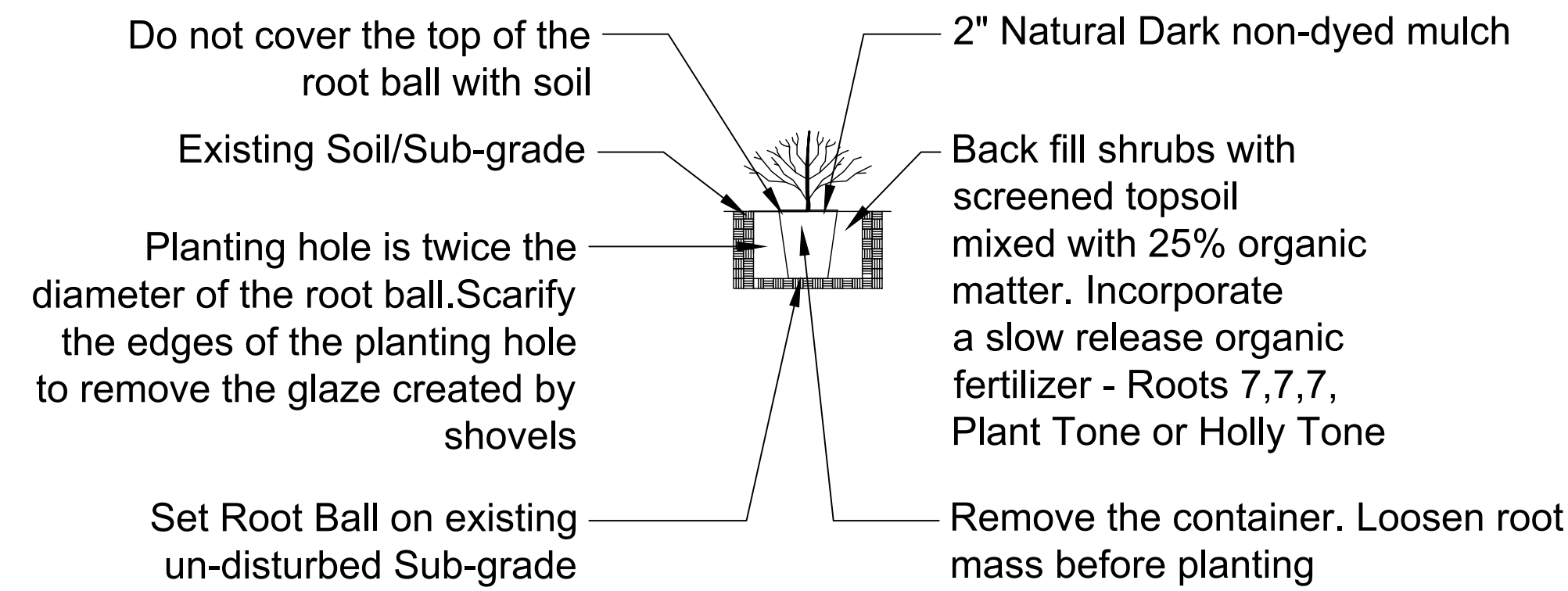
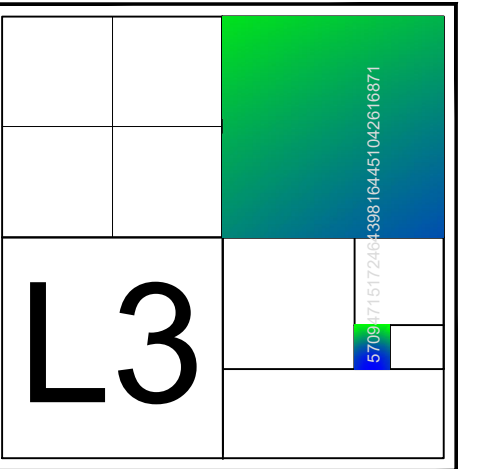
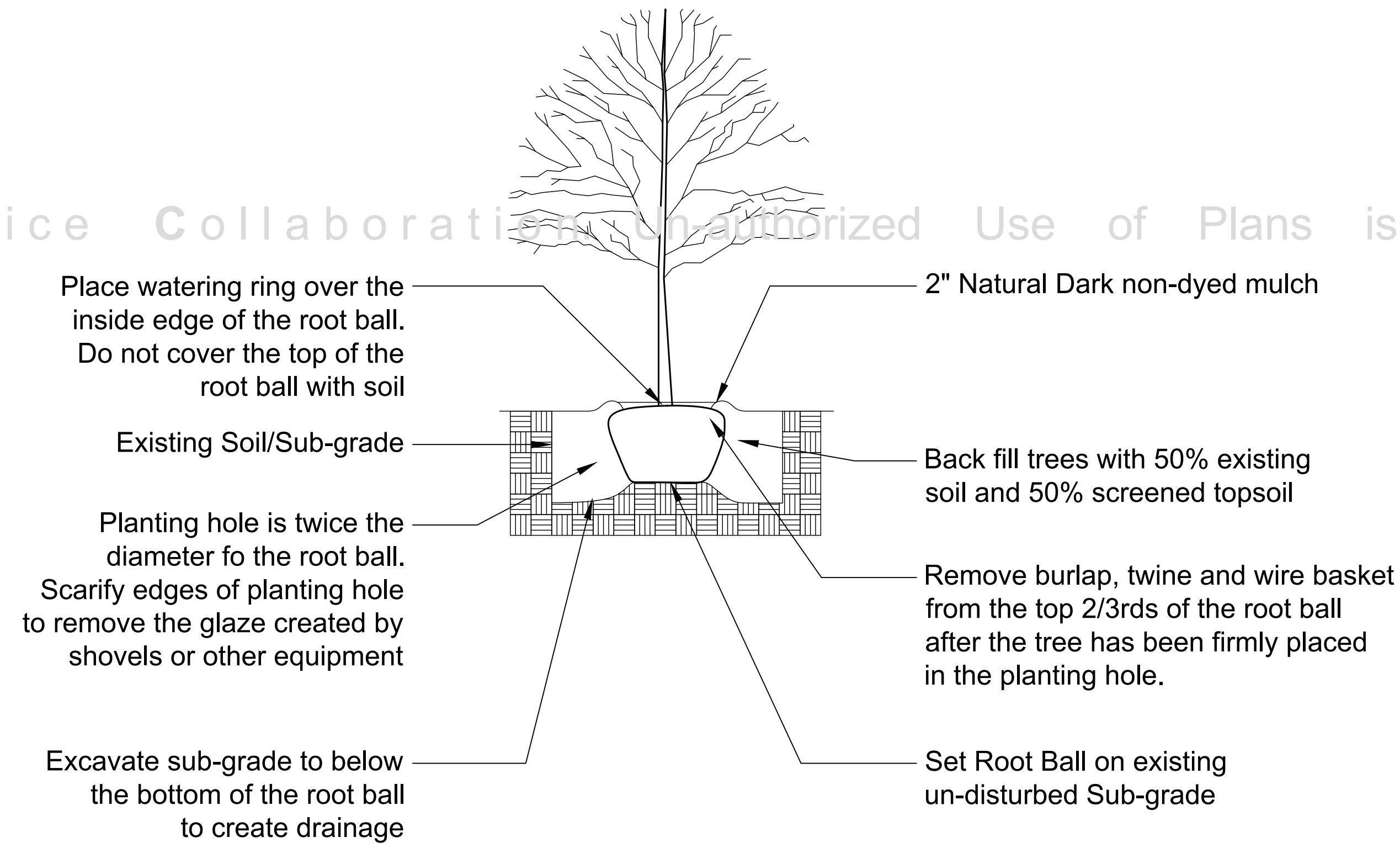


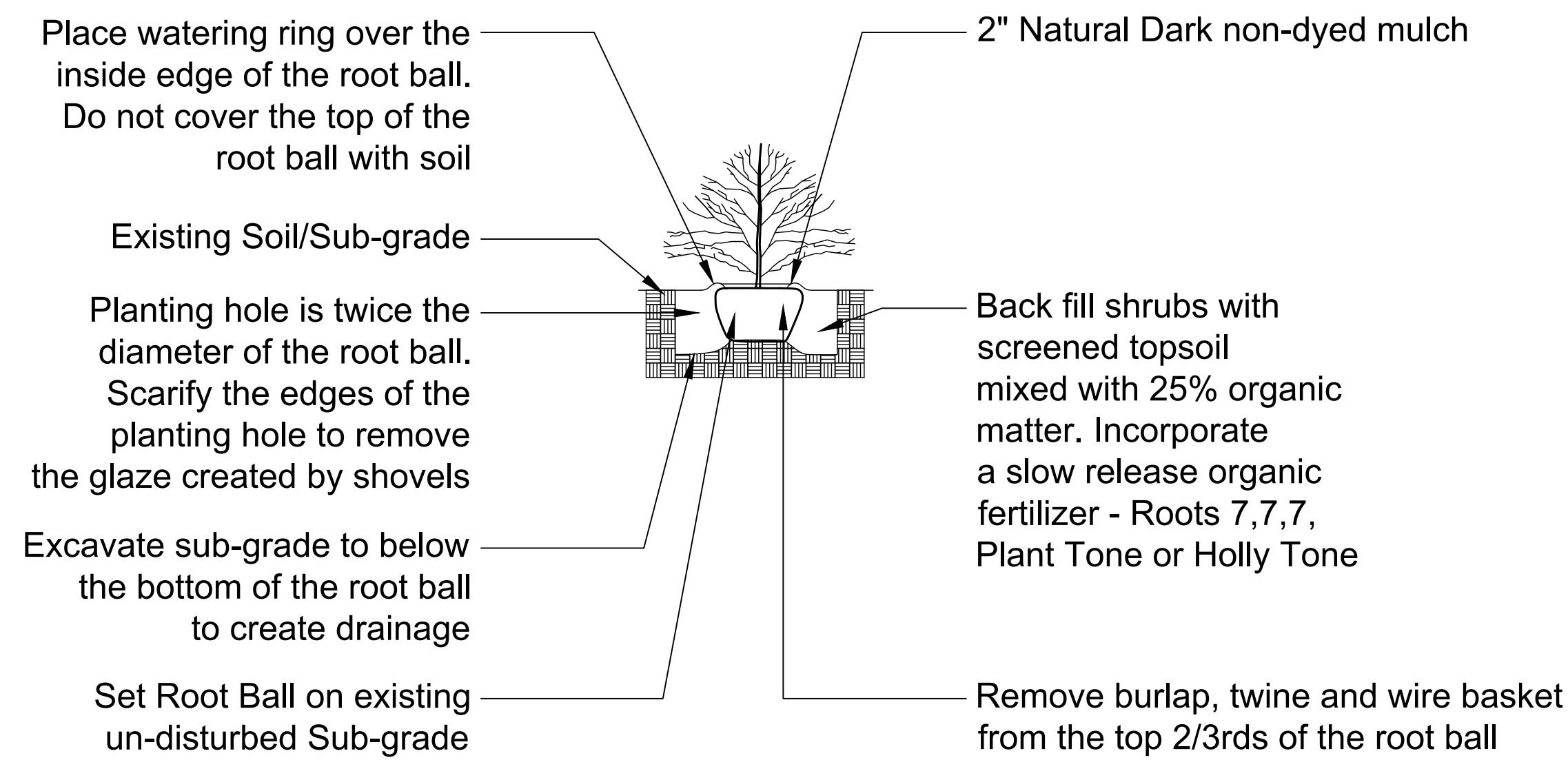
Designs Are The Property of The Michael Boice Collaborative. Unauthorized Use of Plans is Strictly Prohibited



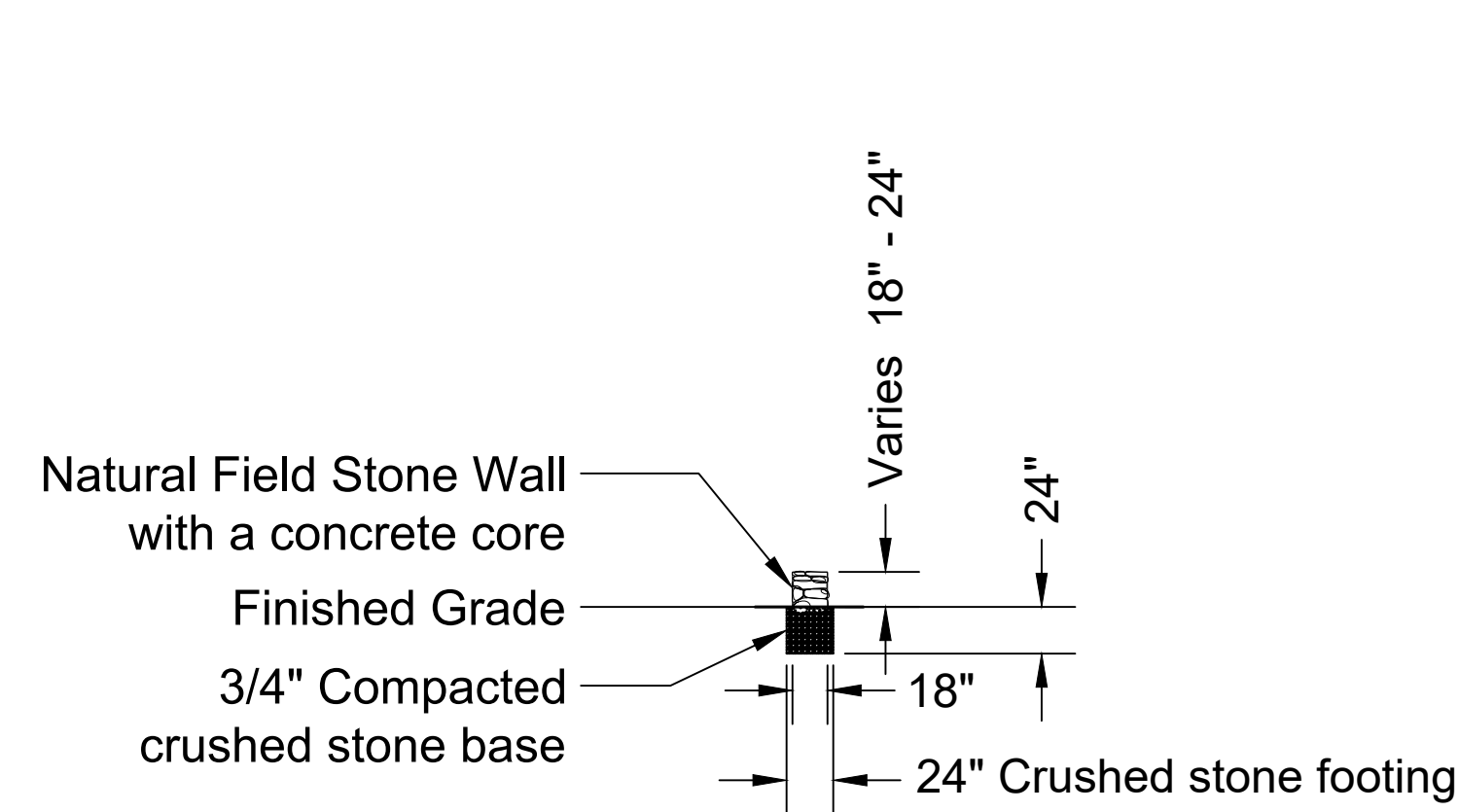
CONTAINER PLANTING SPECIFICATIONS



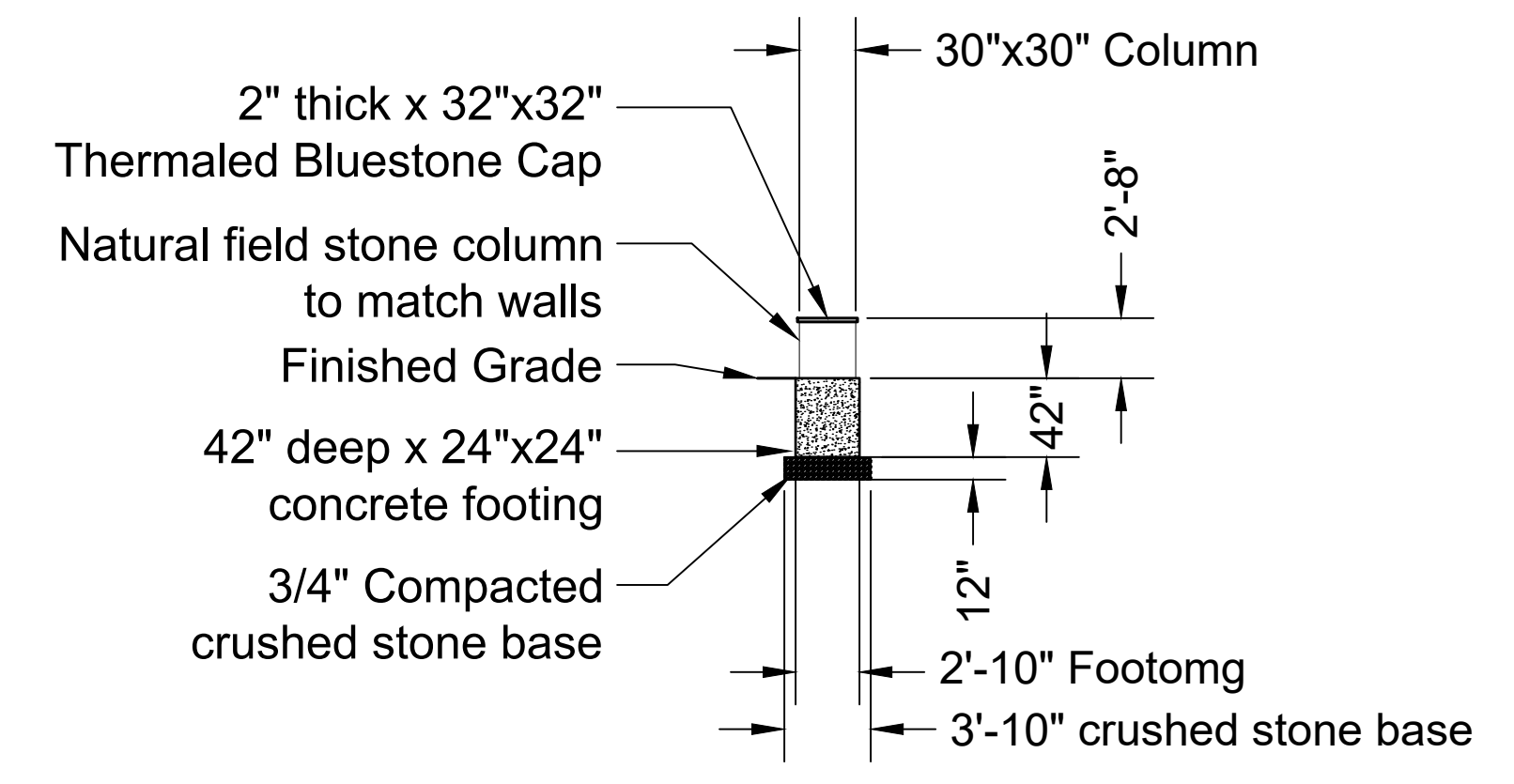
TREE PLANTING SPECIFICATION



SHRUB PLANTING SPECIFICATIONS



FREE STANDING STONE WALL DETAIL



COLUMN DETAIL



All new and proposed walls and columns to match the existing wall and column style

845-702-1004

The Michael Boice Collaboration



11 South Fowlhouse Road Wappinger Falls, New York 12590

DESIGNERS AND MAKERS OF FINE LANDSCAPES

Ready Coffee PLANT TABLE AND SPECIFICATIONS

Albant Post Road Hyde Park, New York

Date | September 22, 2021 Revisions |

Scale | ...

rev September 27, 2021  
 Initial green table  
 Initial table  
 Initial table  
 rev October 1, 2021  
 Initial table  
 rev December 23, 2021  
 Initial table  
 rev May 14, 2022  
 Initial table  
 rev June 14, 2022  
 Initial table  
 rev June 14, 2022  
 Initial table  
 rev July 17, 2022  
 Initial table  
 rev August 25, 2023  
 Initial table  
 rev January 16, 2023  
 Initial table  
 rev February 13, 2023  
 Initial table  
 rev March 17, 2023  
 Initial table  
 scale, notes per the team  
 remove north arrow