

Hailey Wall



Features

- Highly efficient reflector with uniform distribution
- Smooth dimming without any color shift (optional)
- Stays ON in case of a power interruption with the optional emergency ballast
- Surge suppressor protects electrical components
- Light weight construction for easy installation and less structural stress
- Quality components combined with the most current technology for high efficiency and reduced lighting costs
- Maintenance is simple; easy to clean and re-lamp

Applications

The Hailey Wall lends itself to commercial and industrial applications that could benefit from materials and maintenance cost reductions. It is perfect for entrances, laneways, patios, and provides good nighttime security lighting.



TMSLIGHTING

ESTABLISHED 1923

Construction

High grade spun aluminum reflector (10" dia.), and aluminum conduit (1/2" NPT), with stainless steel mounting hardware.

Lamp

Compact fluorescent (42W max.), incandescent (150W max.), metal halide (100W max.), or Cree™ 15W LED light sources. Specify 3000K, 3500K or 4000K LED CCT. Incandescent and metal halide models use a medium base socket (E26).

Ballast

Ballasts are integral and electronic. They are efficient with a high power factor greater than 90%, and quiet within an "A" sound rating.

LED Driver

The LED source is controlled by an advanced, integral, electronic driver that delivers consistent power.

Surge Suppressor

All 120V, 277V, and universal voltage LED luminaires are equipped with an integral, 6kV surge suppressor.

Dimming

CF dimming options include the Mark 7 ® (0-10V), Mark 10 ® (line voltage), DALI (addressable), or Ecosystem ®.

The LED dimming option is the 0-10V current-sinking type.

Note: Use a current-sinking dimming system (by others) with this option. Compatibility of this product is not guaranteed with all control systems.

Emergency

For CF systems, an optional, integral, canopy-mounted, emergency back-up is available.

For LED systems, integral and remote mount emergency back-ups are available, in either standard temperature or cold temperature versions.

The test switch and indicator light would be mounted remotely.

Option

Wire Guard: a chrome-plated, steel wire guard is available for lamp protection, which also serves as a vandal deterrent.

Mounting

Mount onto a flat wall, directly over a standard 4" electrical junction box. Custom conduit lengths are optional.

Follow the installation instructions, and adhere to your local electrical code.

Finish

Available in TMS standard brushed, anodized, and powder-coated finishes. Custom or RAL finishes are available by special order; see the Finishes and Diffusers chart.

Compliances

QPS-C/US, or UL-C/US certified to UL1598 standards. Rated IP23 for dry to damp locations, indoor and outdoor. Consult the factory for the Consultants Europe (CE) certification.



Hailey Wall

TMSLIGHTING

ESTABLISHED 1923

HYW10

1 2 3 4 5 6 7 8 9 9 10

Project: _____
 Type: _____
 Quantity: _____

Notes:

1 • Location

I: Indoor
 O: Outdoor

2 • Lamping

150IN: 150W Incandescent
 26CF: 26W PL-T
 32CF: 32W PL-T
 42CF: 42W PL-T
 70MH: 70W MH (E-17)
 15LED: 15W LED (CRI 80)

3 • LED CCT (color temp.)

—: None
 30K: 3000K
 35K: 3500K
 40K: 4000K

4 • Voltage

120: 120V
 277: 277V
 347: 347V (n/a with LED)

5 • Ballast/Driver

—: None
 WM: Wall mount (integral)
 N1: Remote, indoor mount (NEMA1)
 N4: Remote, outdoor mount (NEMA 4)

6 • Finish

AN: Anodized (bright)
 BR: Brushed aluminum
 F05: White
 F08: Midnight blue
 F09: Pewter
 F10: Fire red
 F13: Forest green
 F14: Sunshine yellow
 F15: Matte black
 F16: Gloss black
 F18: Flat aluminum
 F19: Mirror silver
 F21: Architectural bronze
 F24: Melted platinum (textured)
 F25: Melted gold (textured)
 F26: Melted copper (textured)
 F28: Dark champagne
 F31: Silver metallic
 F33: Pyrite bronze
 RAL: RAL custom color (specify)

7 • Dimming

—: None
 DIM: CF dimming (Advance Mark 10 ®)
 DIMV: CF dimming (Advance Mark 7 ®; 0-10V)
 DIMD: CF dimming (Advance DALI)
 DIME: CF dimming (Lutron Ecosystem ®)
 DIML: LED dimming (0-10V; current-sinking)
 Note: n/a with 347V systems, or for outdoor CF applications).
 Use a current-sinking dimming system (by others) with LED dimming.
 Compatibility of this product is not guaranteed with all control systems.

8 • Emergency

—: None
 EMR: Remote CF (7ft. max. distance from EM to lamp, min. operating temp. +5°C/+40°F, dry location mounting)
 EMCR: Remote CF cold pack (7ft. max. distance from EM to lamp, min. operation temp. -20°C/-4°F)

9 • Globes

—: None
 G1: Clear, elongated globe
 G3: Prismatic, elongated globe
 Note: G1 and G3 are used with 150IN, 32CF, and 15LED max.

10 • Wire Guard

—: None
 W10: 10" Wire guard

Note: Some options may not be compatible with others. To ensure compatibility between options, please visit tmslighting.com, on the "details" page of this luminaire, and use the configuration tool.

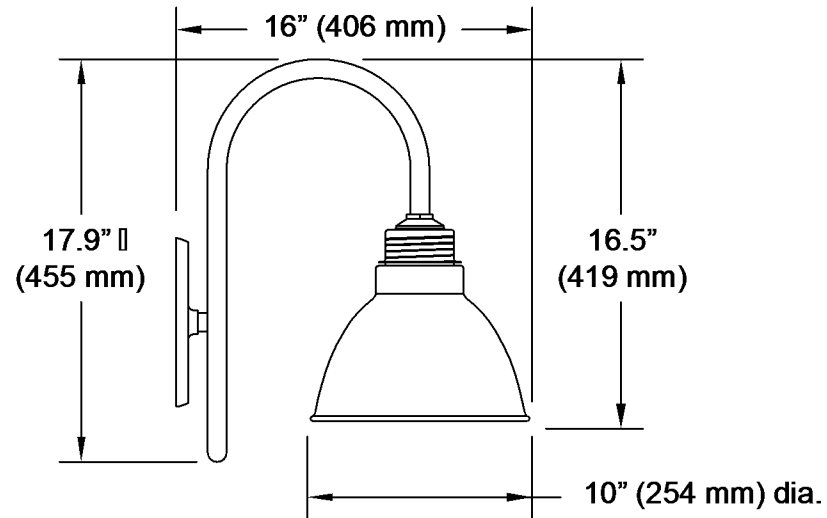
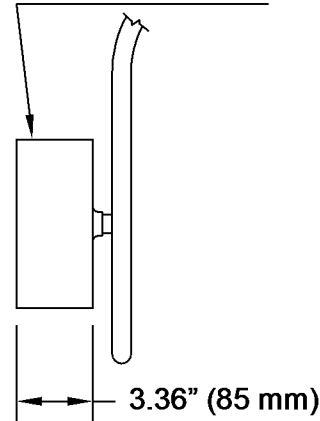


Hailey Wall

TMSLIGHTING

ESTABLISHED 1923

optional LED driver
or CF / MH ballast



Custom

TMS Lighting can customize this and many of our standard fixtures. The dimensions, lamp types, enclosure and colors could be modified to suit your lighting and architectural requirements. Contact your local representative for more details: <http://tmslighting.com/info/agents>

Specifications are subject to change without notice.

TMS Lighting Inc.
247A Summerlea Road,
Brampton, Ontario,
Canada. L6T 4E1

Web Site: tmslighting.com

North America: (905) 793-1174

Toll-free: (866) 793-1174

Fax: (905) 793-1175

UK & Europe: 44-1474-250-654