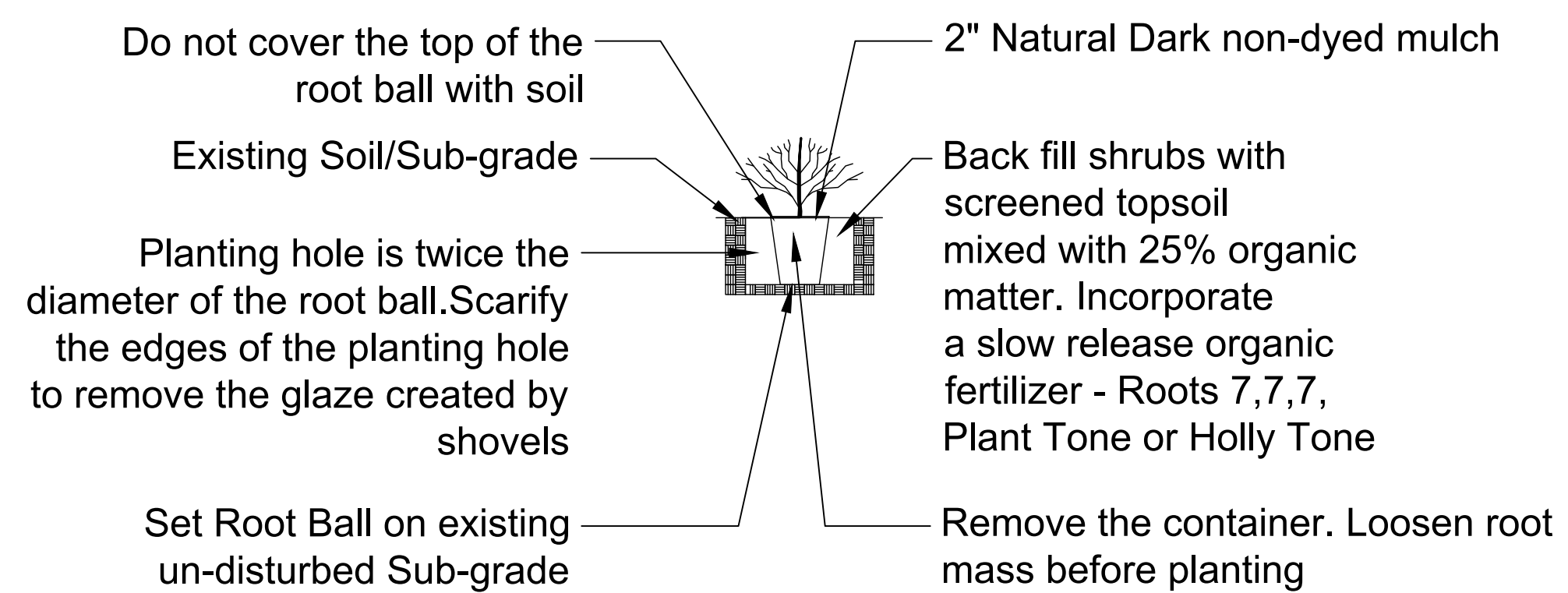
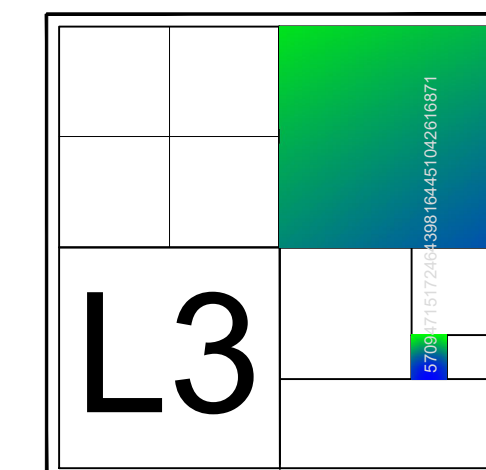
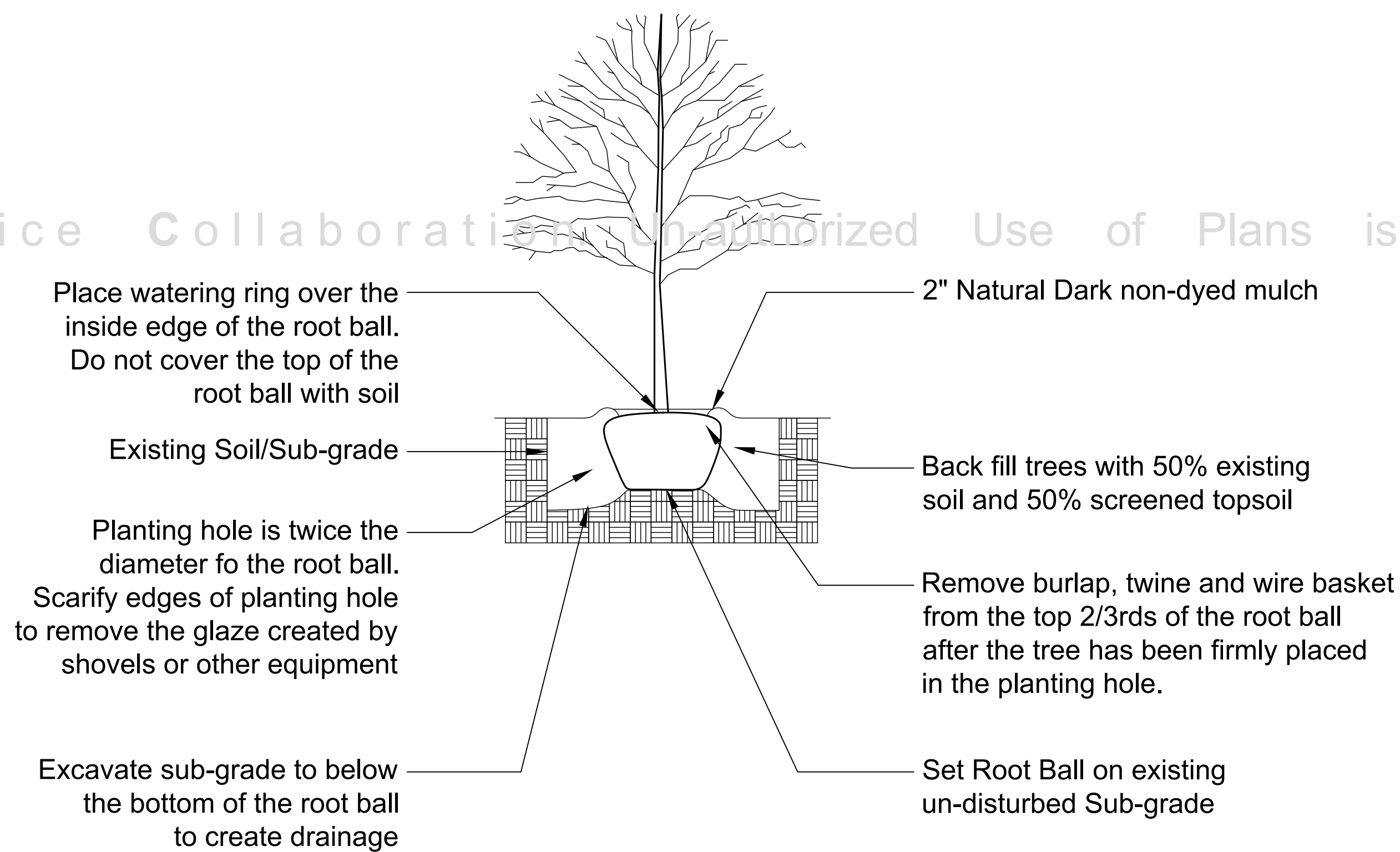


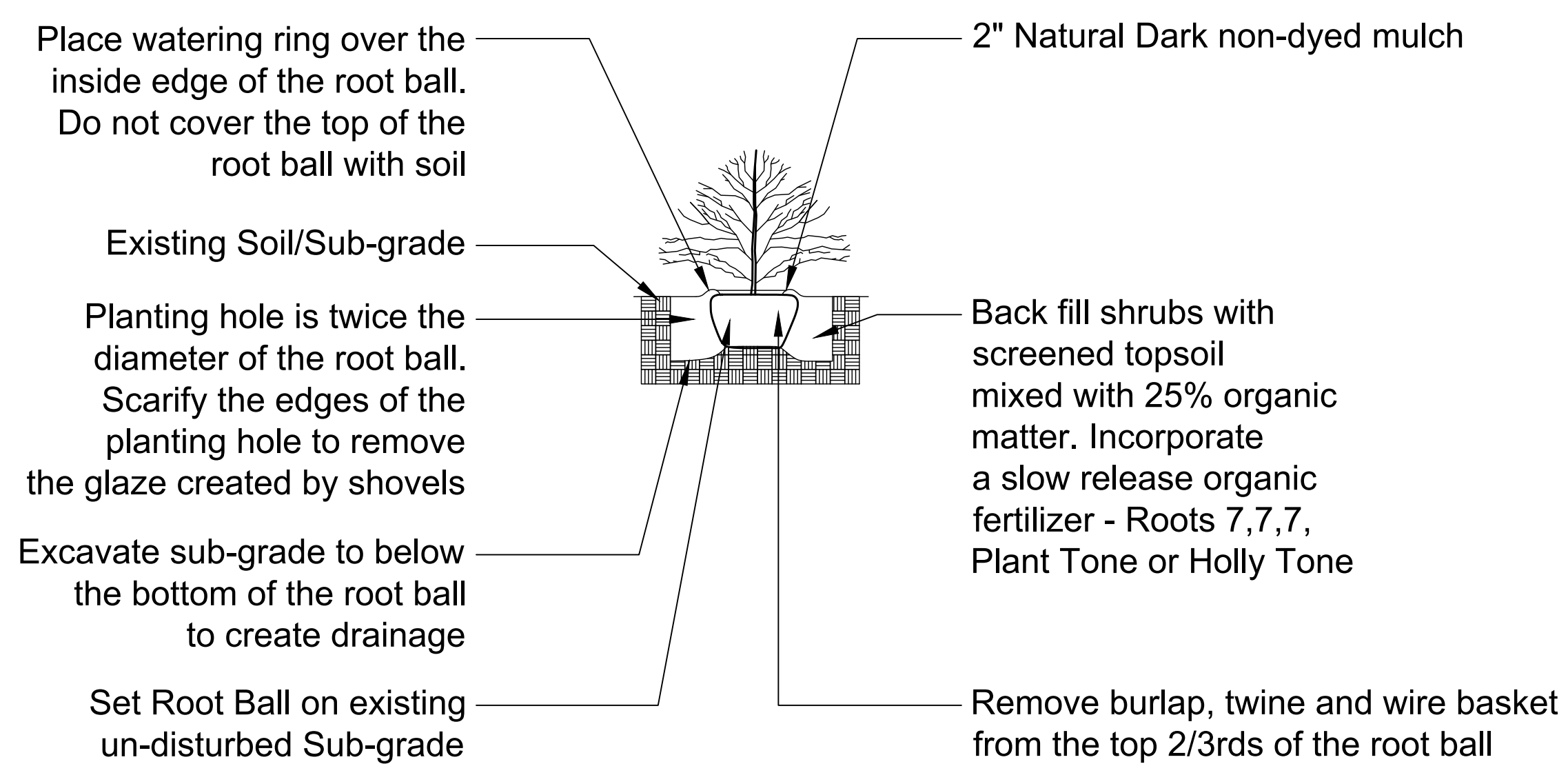
Designs Are The Property of The Michael Boice Collaborations. Unauthorized Use of Plans is Strictly Prohibited



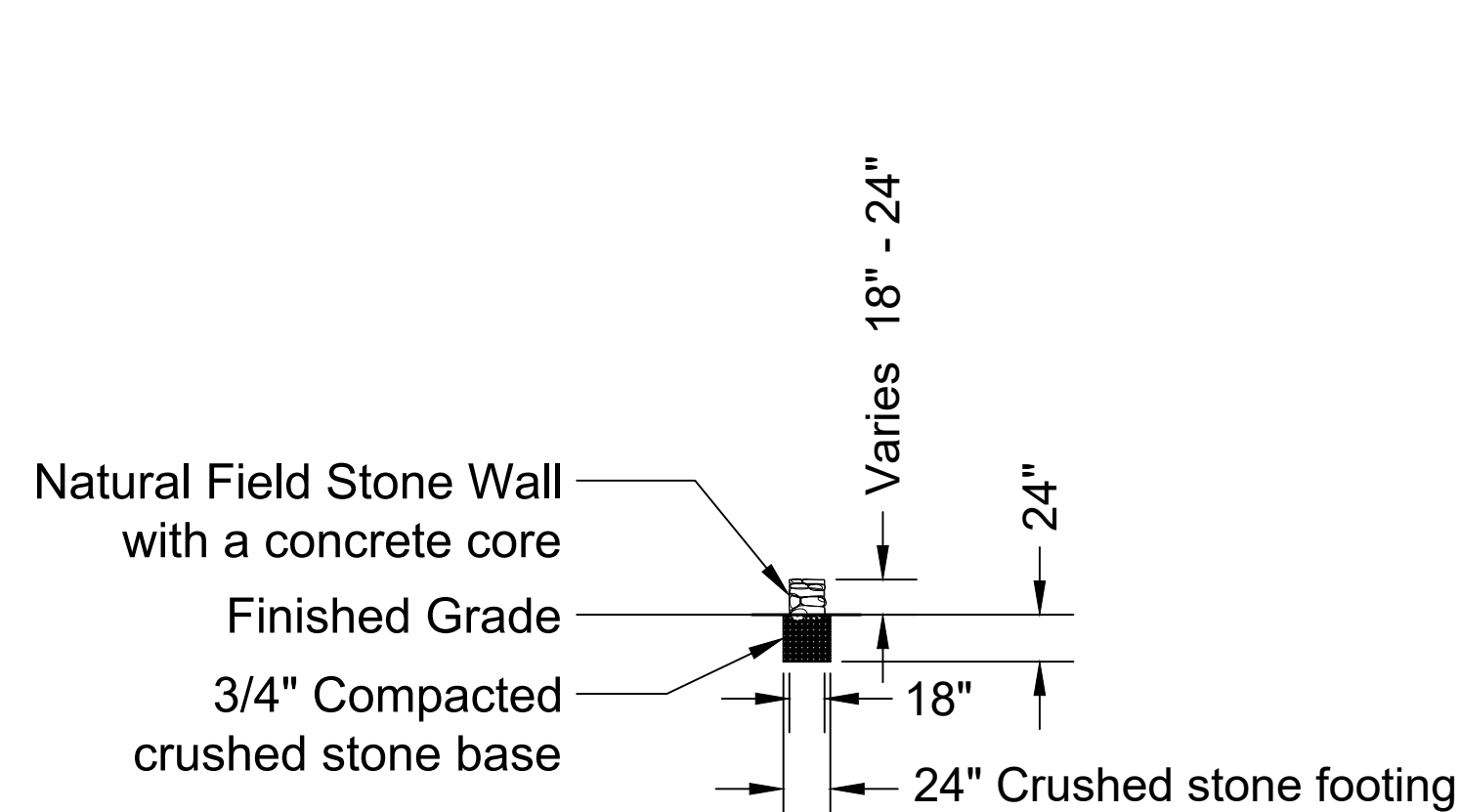
CONTAINER PLANTING SPECIFICATIONS



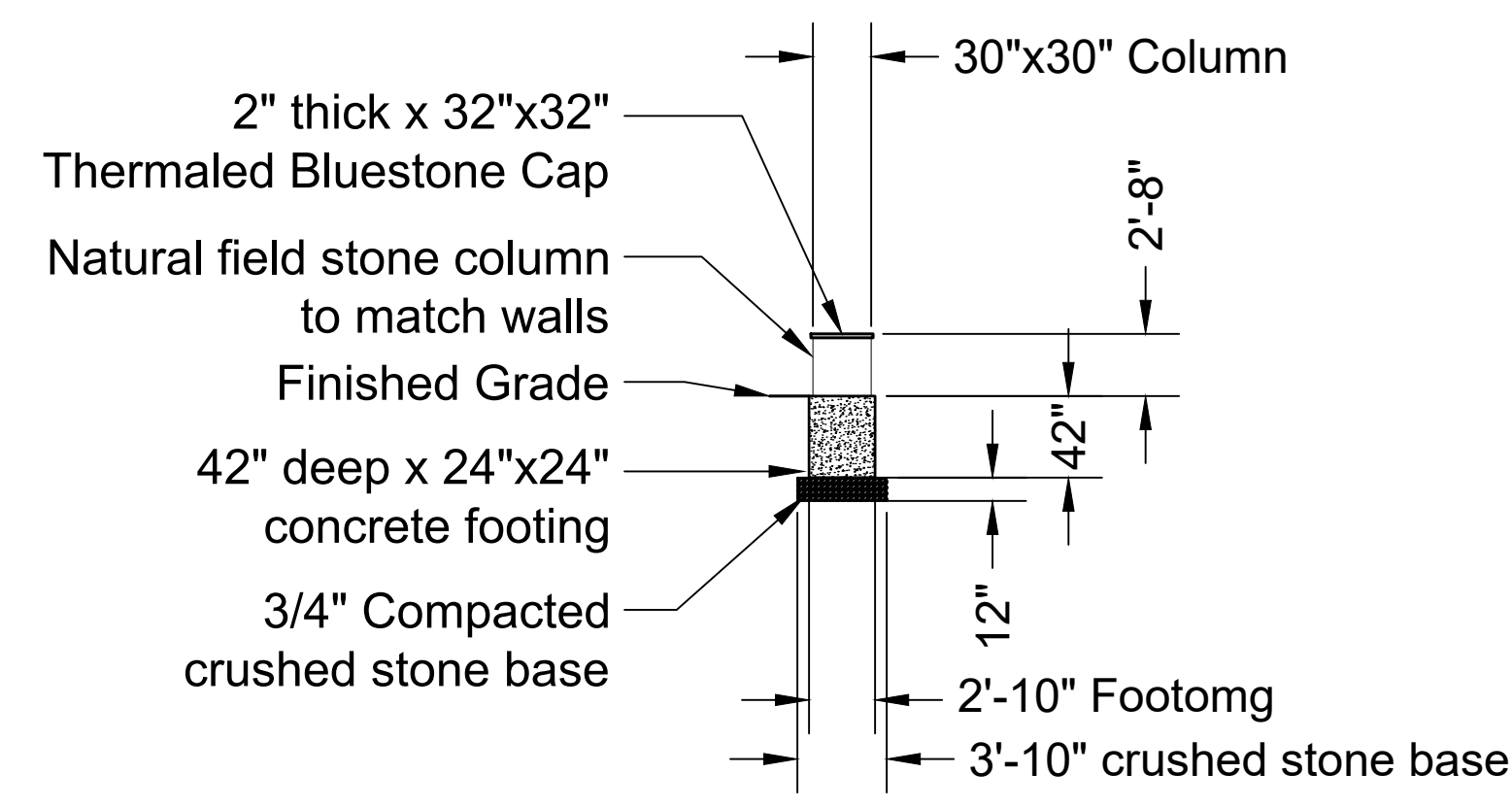
TREE PLANTING SPECIFICATION



SHRUB PLANTING SPECIFICATIONS



FREE STANDING STONE WALL DETAIL



COLUMN DETAIL



All new and proposed walls and columns to match the existing wall and column style

845-702-1004

11 South Fowlehouse Road Wappinger Falls, New York 12590

The Michael Boice Collaboration

DESIGNERS AND MAKERS OF FINE LANDSCAPES

Ready Coffee PLANT TABLE AND SPECIFICATIONS  
Albant Post Road Hyde Park, New York

Date | September 22, 2021 Revisions |

Scale | ...

|    |            |                |
|----|------------|----------------|
| 1  | 09/22/2021 | Initial Design |
| 2  | 10/01/2021 | Revisions      |
| 3  | 10/01/2021 | Revisions      |
| 4  | 10/01/2021 | Revisions      |
| 5  | 10/01/2021 | Revisions      |
| 6  | 10/01/2021 | Revisions      |
| 7  | 10/01/2021 | Revisions      |
| 8  | 10/01/2021 | Revisions      |
| 9  | 10/01/2021 | Revisions      |
| 10 | 10/01/2021 | Revisions      |
| 11 | 10/01/2021 | Revisions      |
| 12 | 10/01/2021 | Revisions      |

