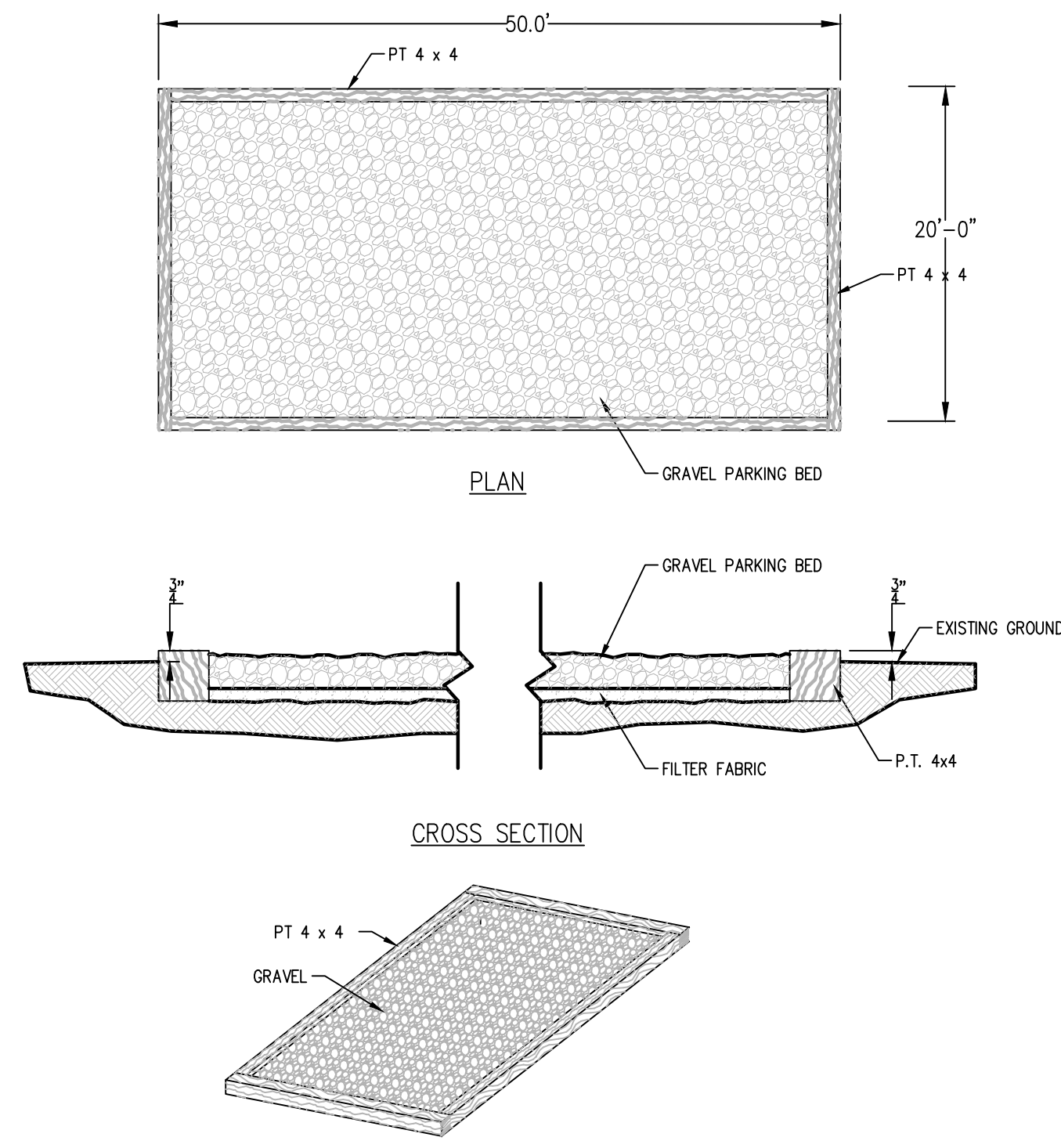


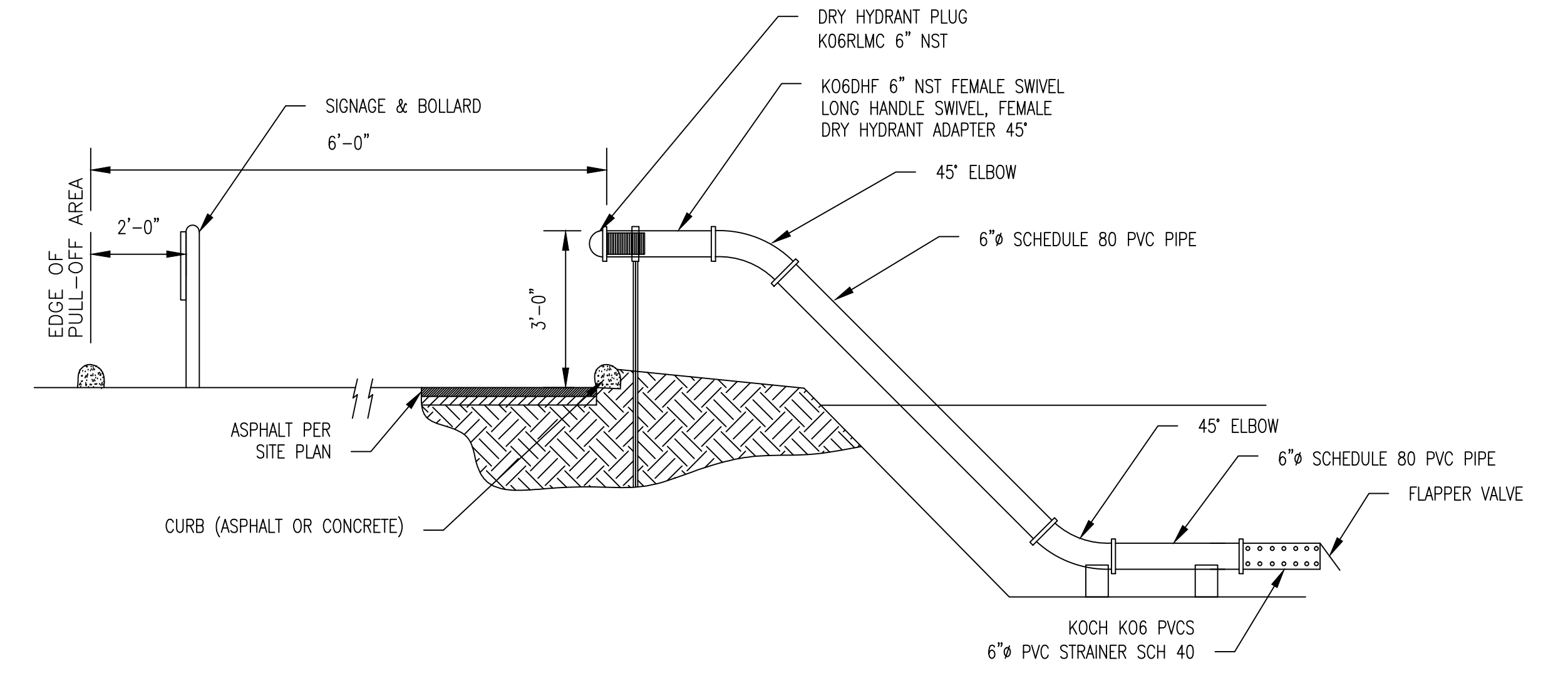
1 DRY HYDRANT SIGNAGE
N.T.S.

1
SY6C

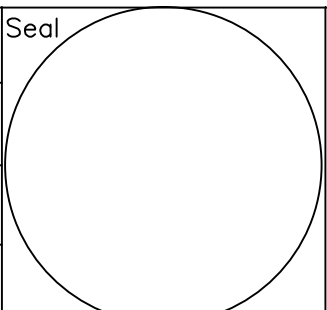


2 DRY HYDRANT PARKING DETAIL
N.T.S.

2
SY6C



ROOSEVELT FIRE DISTRICT SHALL APPROVED ABOVE DETAILS PRIOR TO ANY FABRICATION OR INSTALLATION
SPECIFIC CONNECTORS REQUIRE SPECIFICATIONS FROM THE FIRE DISTRICT

P. W. SCOTT ENGINEERING & ARCHITECTURE, P.C. 3871 ROUTE 6 BREWSTER, NY 10509 845-278-2110	Revisions		Dwg. Title	FIRE-DEPARTMENT-DETAILS HIGHBURY-ESTATE-SITE_PLAN Proj. No. 20-131 Date 3/30/21	Seal 	Dwg. No. SY6C
	No.	Date	Description			
			Project Title	Drawn by		
			Date	Scale		