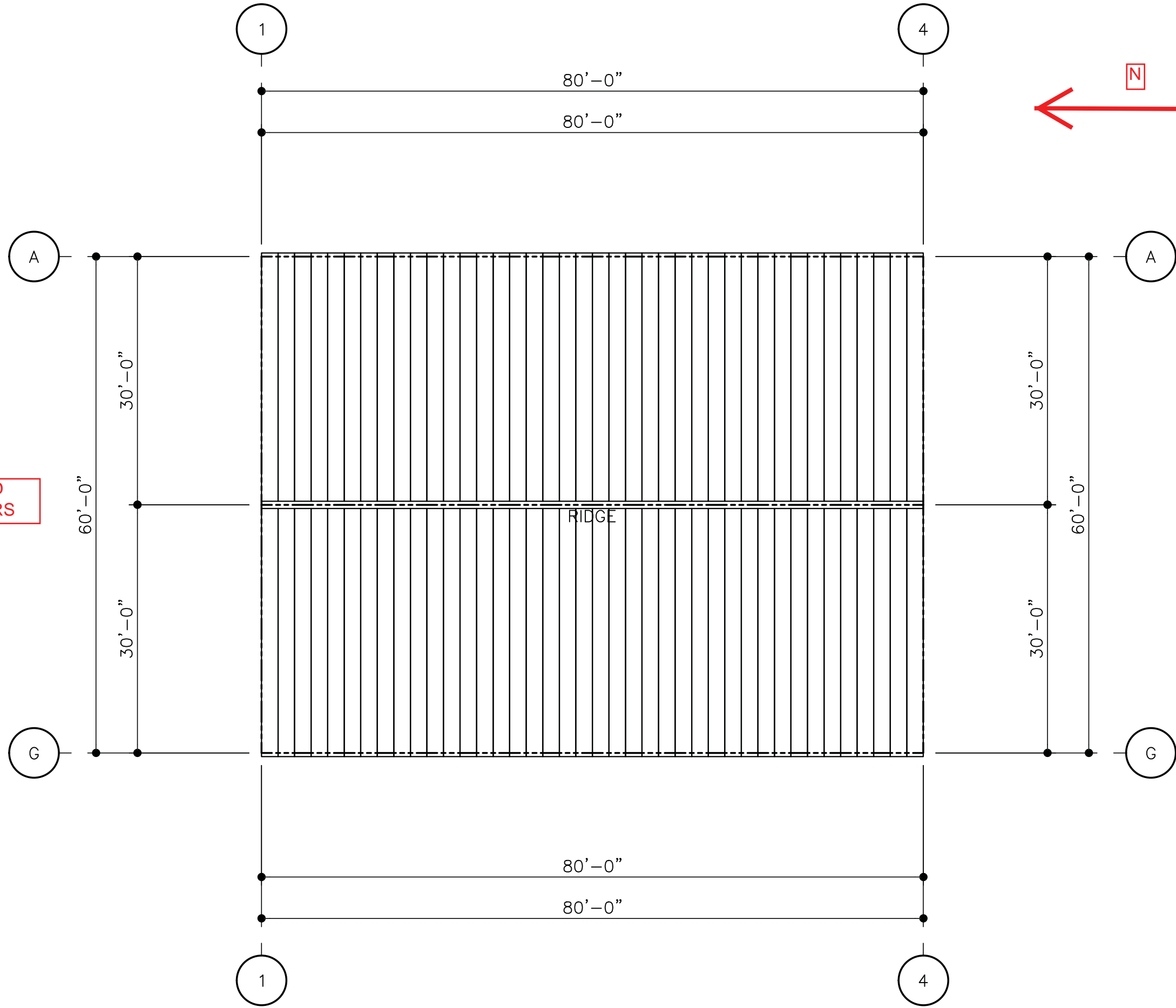


FRONT END WITH DOORS



# ROOF SHEETING PLAN

PANELS: 24 GA. STANDINGSEAM360 - GALVALUME

ROOF MATERIAL: GALVALUME  
- ALUMINUM-ZINC ALLOY  
COATED SHEET STEEL  
COLOR - WARM WHITE

DO NOT USE FOR FINAL CONSTRUCTION

6/10/2019 8:18 AM

PRELIMINARY ROOF SHEETING PLAN

QUOTE NUMBER:

4-21-19

SHEET NUMBER:

RS1

PROJECT NAME:

GLEASON ANNEX SSR  
ARLINGTON, NY

CUSTOMER NAME:

THOMAS GLEASON  
POUGHKEEPSIE, NY



eQuote

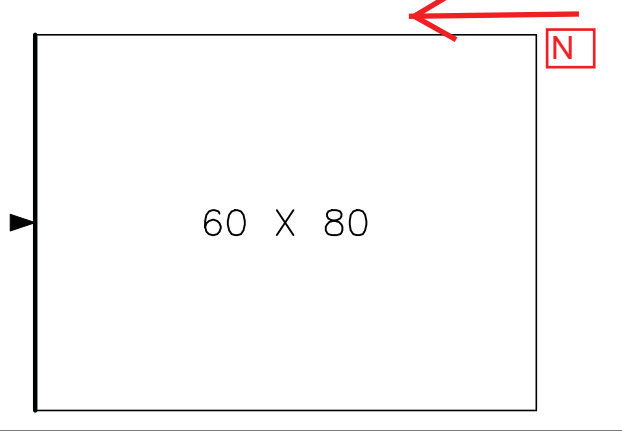


AMERICAN BUILDINGS COMPANY  
A FULBRIGHT COMPANY

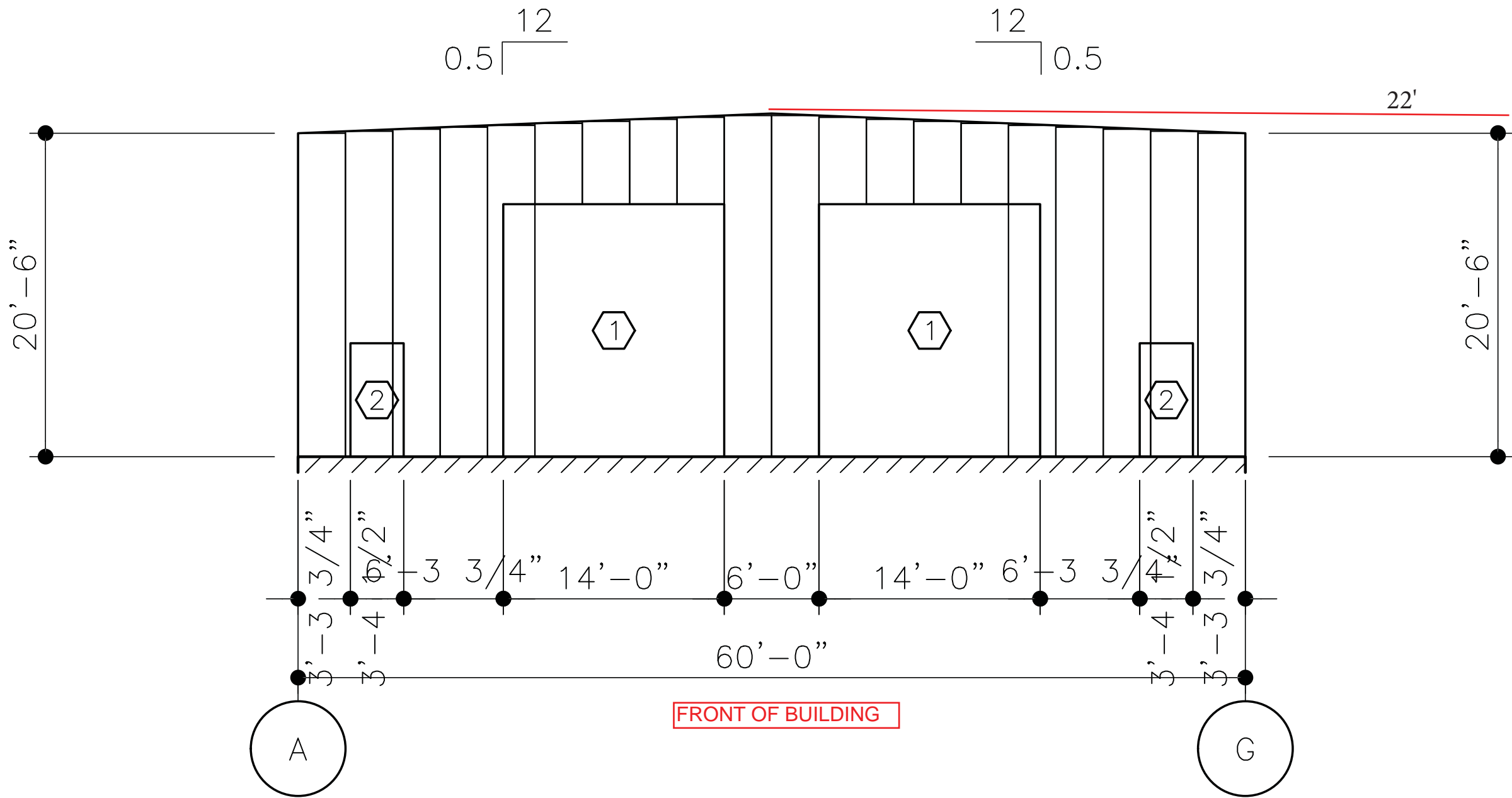
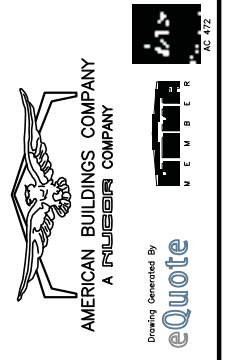


AMERICAN BUILDINGS COMPANY  
A FULBRIGHT COMPANY

KEY PLAN



FRAMED OPENING SCHEDULE					
ID	QTY	WIDTH	HEIGHT	SILL HEIGHT	LOCATED
1	2	14'-0"	16'-0"	0'-0"	FACTORY
2	2	3'-4 1/2"	7'-2 1/4"	0'-0"	FACTORY



FRONT OF BUILDING

WALL SHEETING IS STEEL

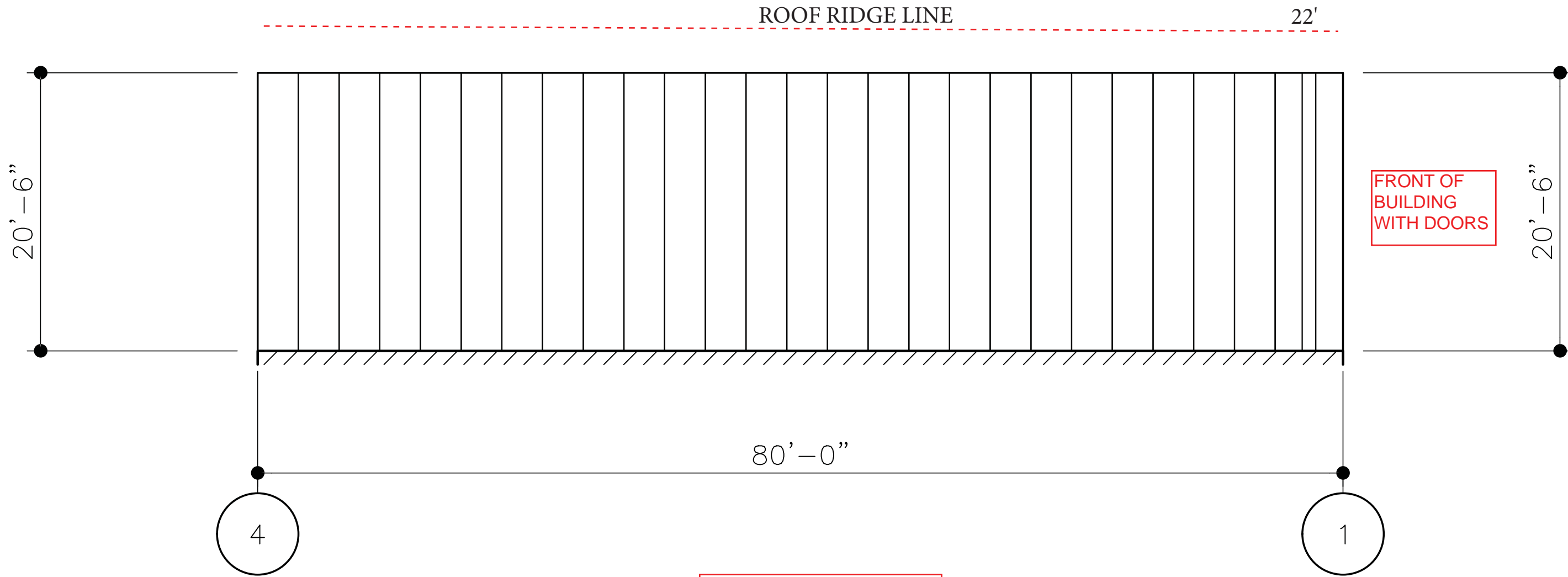
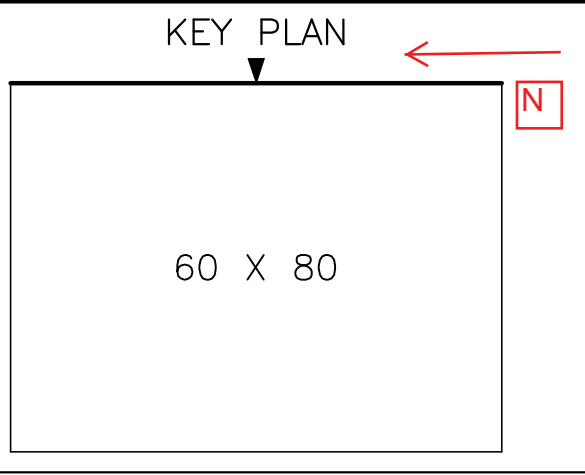
WALL SHEETING ELEVATION AT LINE 1

LOOKING SOUTH AT NORTH SIDE OF BUILDING,

PANELS: 26 GA. Architectural III - SURREY BEIGE

PROJECT NAME:  
GLEASON ANNEX SSR  
ARLINGTON, NY  
CUSTOMER NAME:  
THOMAS GLEASON  
POUGHKEEPSIE, NY

DO NOT USE FOR FINAL CONSTRUCTION  
6/10/2019 8:18 AM  
PRELIMINARY SHEETING ELEVATIONS  
SHEET NUMBER: WS5  
QUOTE NUMBER: 4-21-19

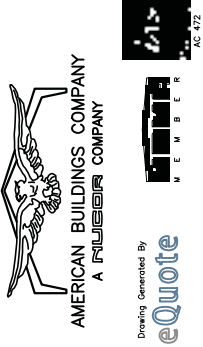


WALL SHEETING IS STEEL

# WALL SHEETING ELEVATION AT LINE A

PANELS: 26 GA. Architectural III – SURREY BEIGE

LOOKING WEST AT EAST SIDE OF BUILDING,



PROJECT NAME:  
GLEASON ANNEX SSR  
ARLINGTON, NY

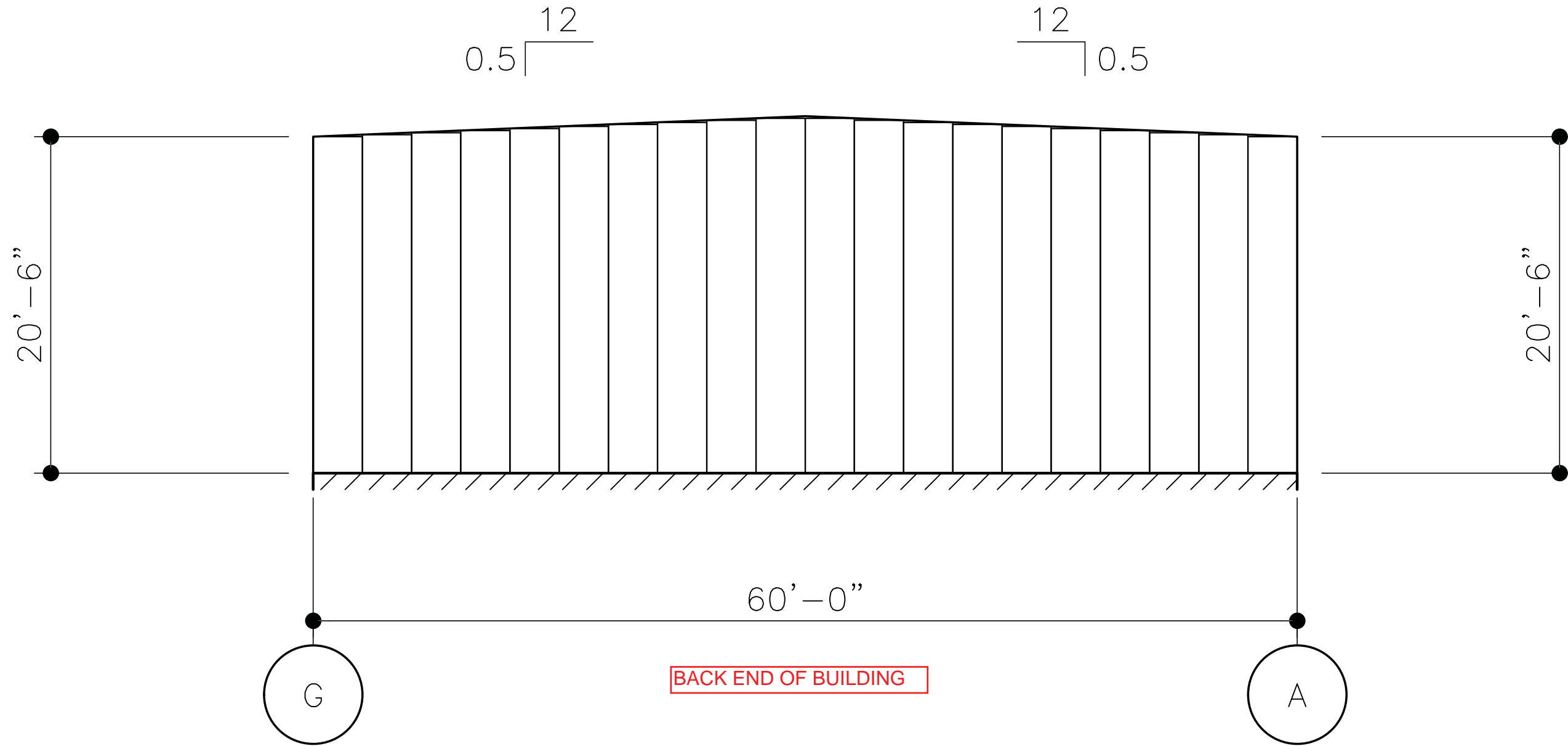
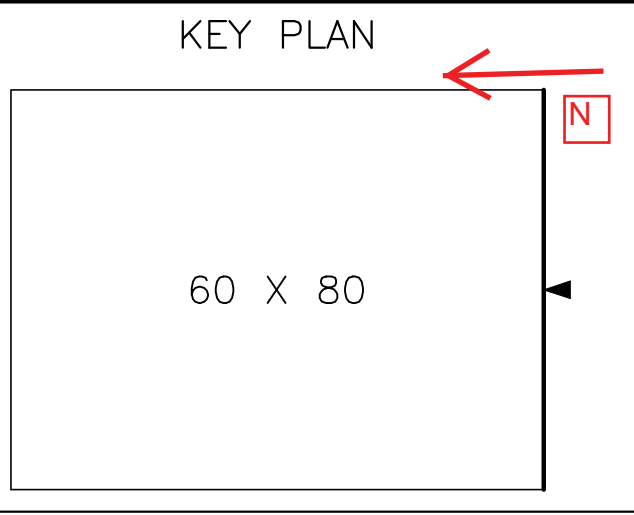
CUSTOMER NAME:  
THOMAS GLEASON  
POUGHKEEPSIE, NY

DO NOT USE FOR FINAL CONSTRUCTION

SHEET TITLE:  
6/10/2019 8:18 AM  
PRELIMINARY SHEETING ELEVATIONS

SHEET NUMBER:  
WS8

QUOTE NUMBER:  
4-21-19



BACK END OF BUILDING

WALL SHEETING IS STEEL

# WALL SHEETING ELEVATION AT LINE 4

PANELS: 26 GA. Architectural III – SURREY BEIGE

LOOKING NORTH AT SOUTH SIDE OF BUILDING,

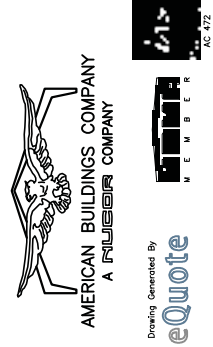
DO NOT USE FOR FINAL CONSTRUCTION

SHEET TITLE: 6/10/2019 8:18 AM  
PRELIMINARY SHEETING ELEVATIONS

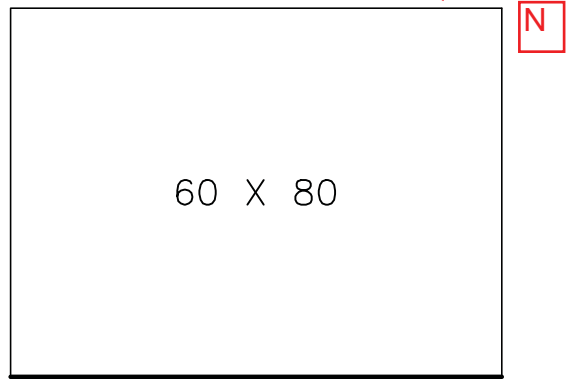
SHEET NUMBER: WS7  
QUOTE NUMBER: 4-21-19

PROJECT NAME:  
GLEASON ANNEX SSR  
ARLINGTON, NY

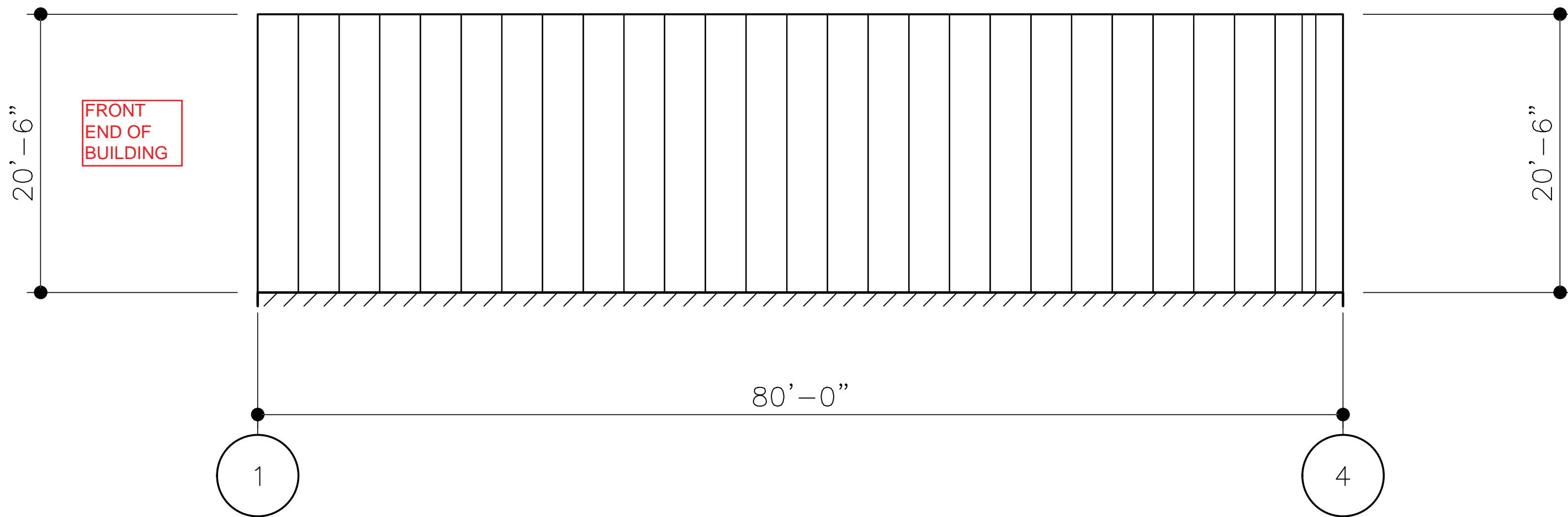
CUSTOMER NAME:  
THOMAS GLEASON  
POUGHKEEPSIE, NY



KEY PLAN



ROOF RIDGE LINE 22 FT



WALL SHEETING IS STEEL

# WALL SHEETING ELEVATION AT LINE G

LOOKING EAST AT WEST SIDE OF BUILDING

PANELS: 26 GA. Architectural III - SURREY BEIGE



PROJECT NAME:  
GLEASON ANNEX SSR  
ARLINGTON, NY

CUSTOMER NAME:  
THOMAS GLEASON  
POUGHKEEPSIE, NY

DO NOT USE FOR FINAL CONSTRUCTION

6/10/2019 8:18 AM

PRELIMINARY SHEETING ELEVATIONS

QUOTE NUMBER:

4-21-19

WS6