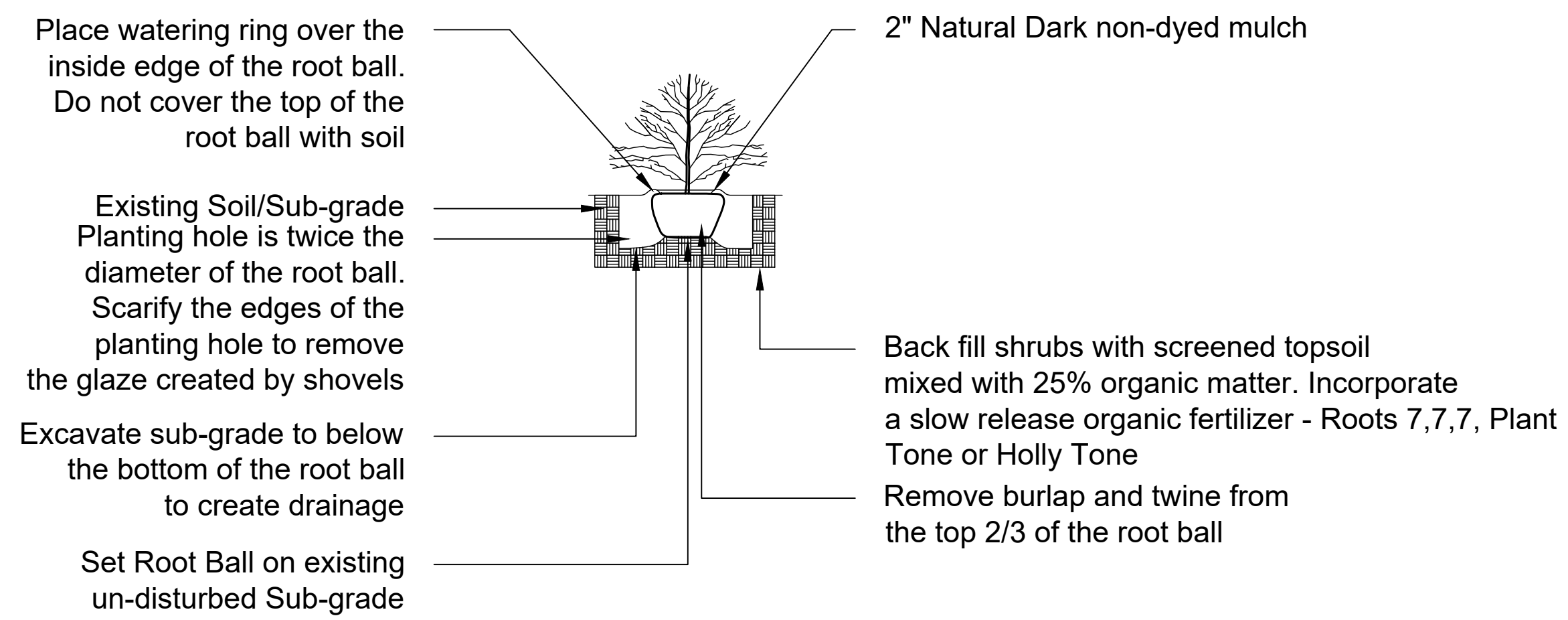
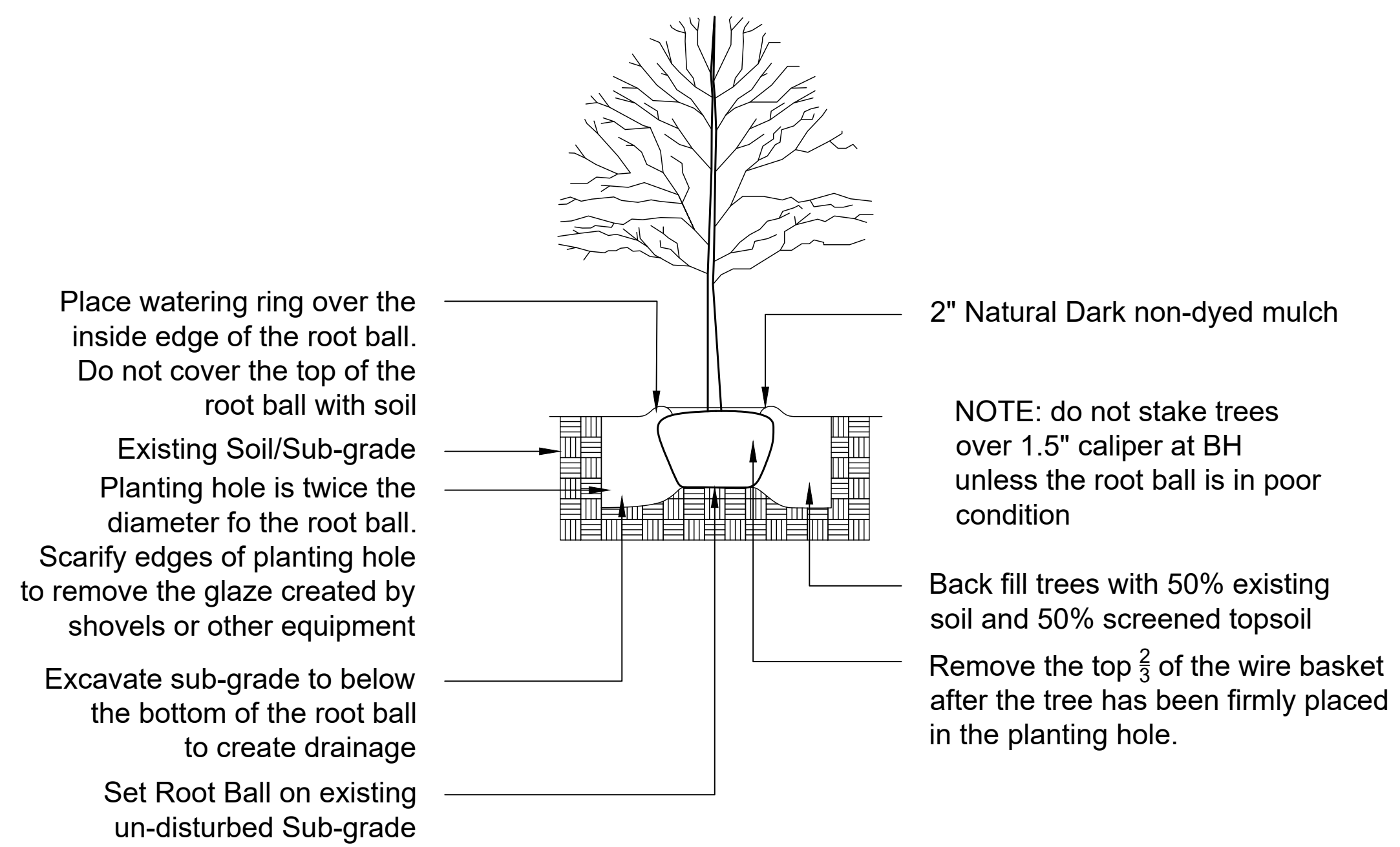


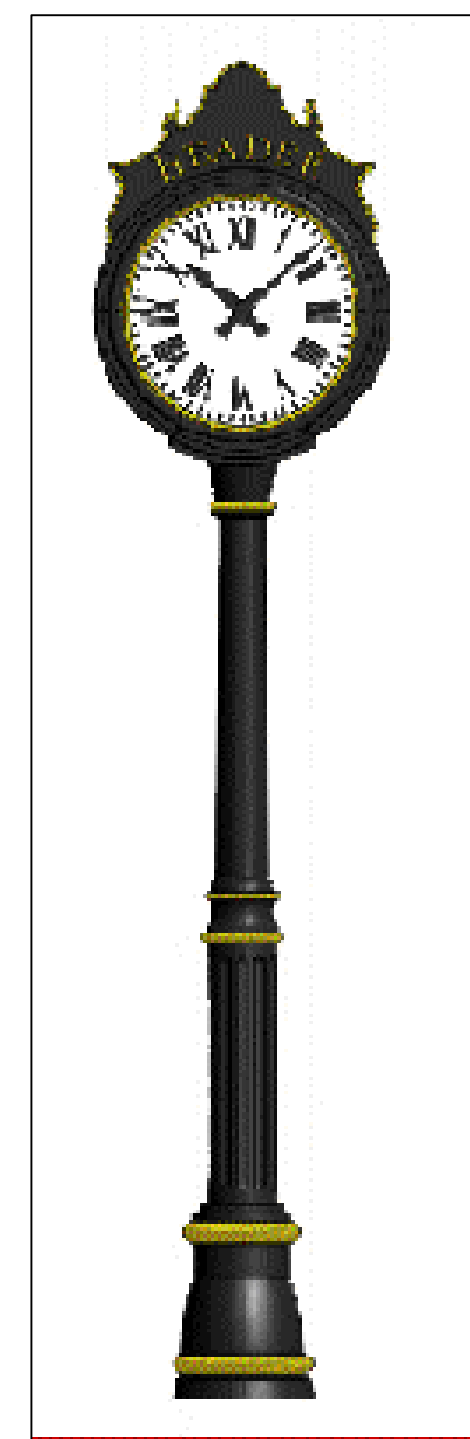
CONTAINER PLANTING SPECIFICATIONS



SHRUB PLANTING SPECIFICATIONS



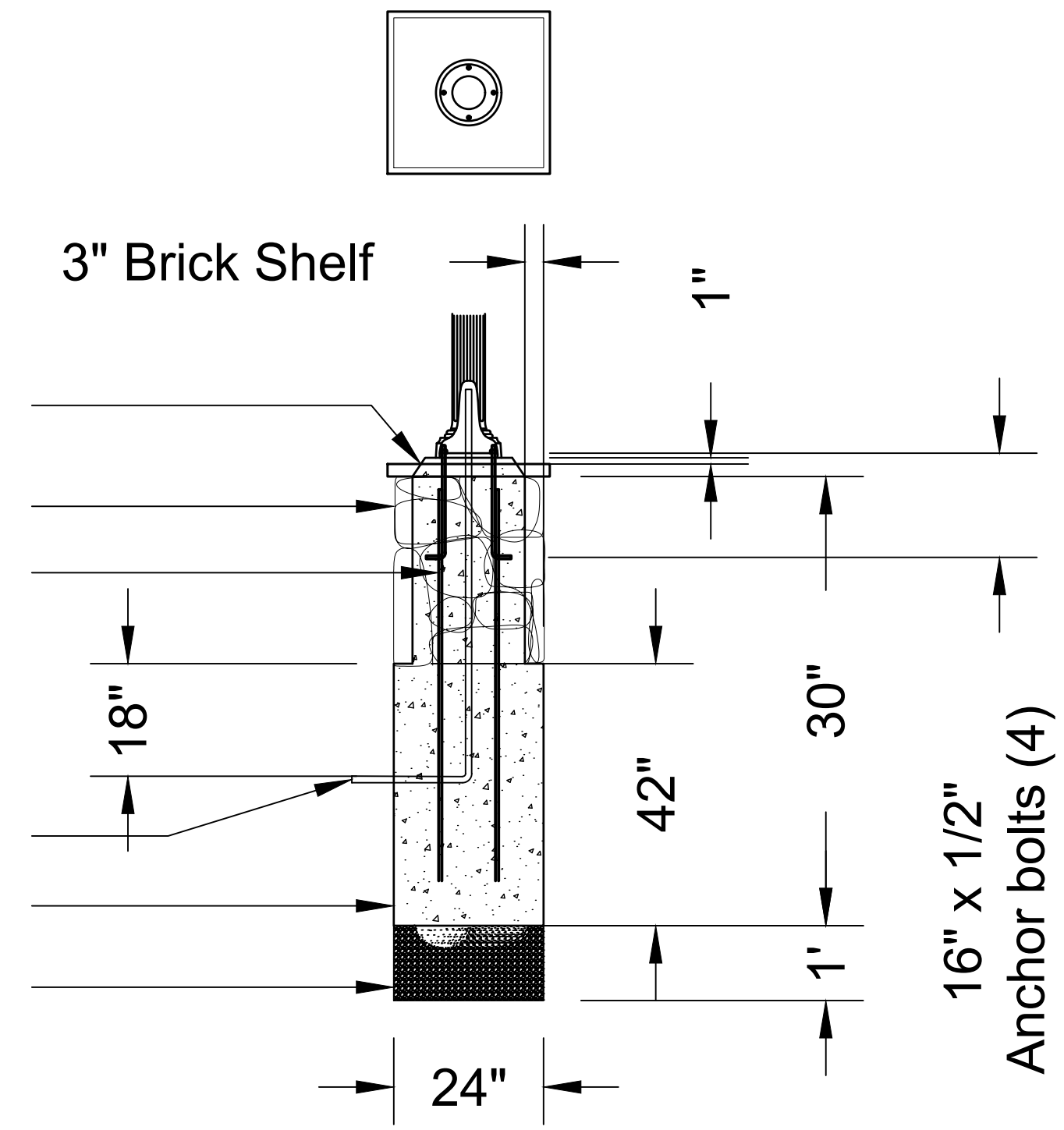
TREE PLANTING SPECIFICATION



Electric Time
Courtyard Two Dial Clock

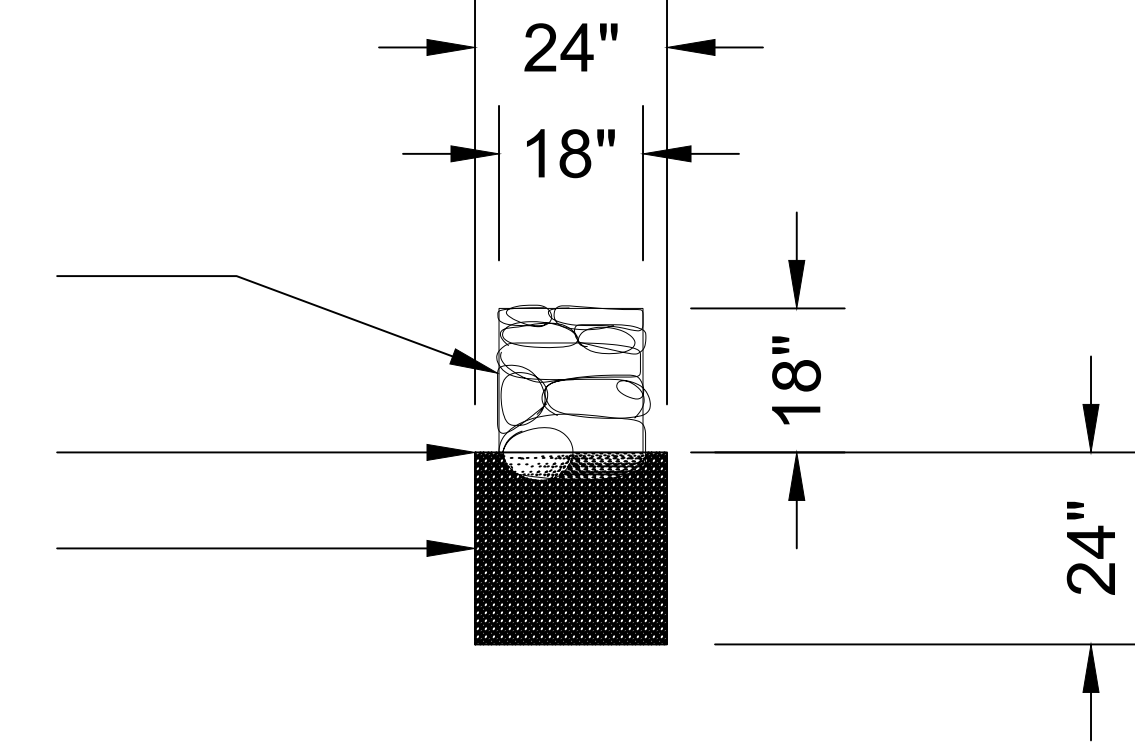
Chalk this joint
Natural Stone Veneer to match walls
1/2" Rebar from footing through to CMU block cores. Tie this rebar to the Light post anchor bolts

3/4" Sched 40 Electric conduit
42" deep x 24"x24" concrete footing
3/4" Compacted Crushed Stone Base



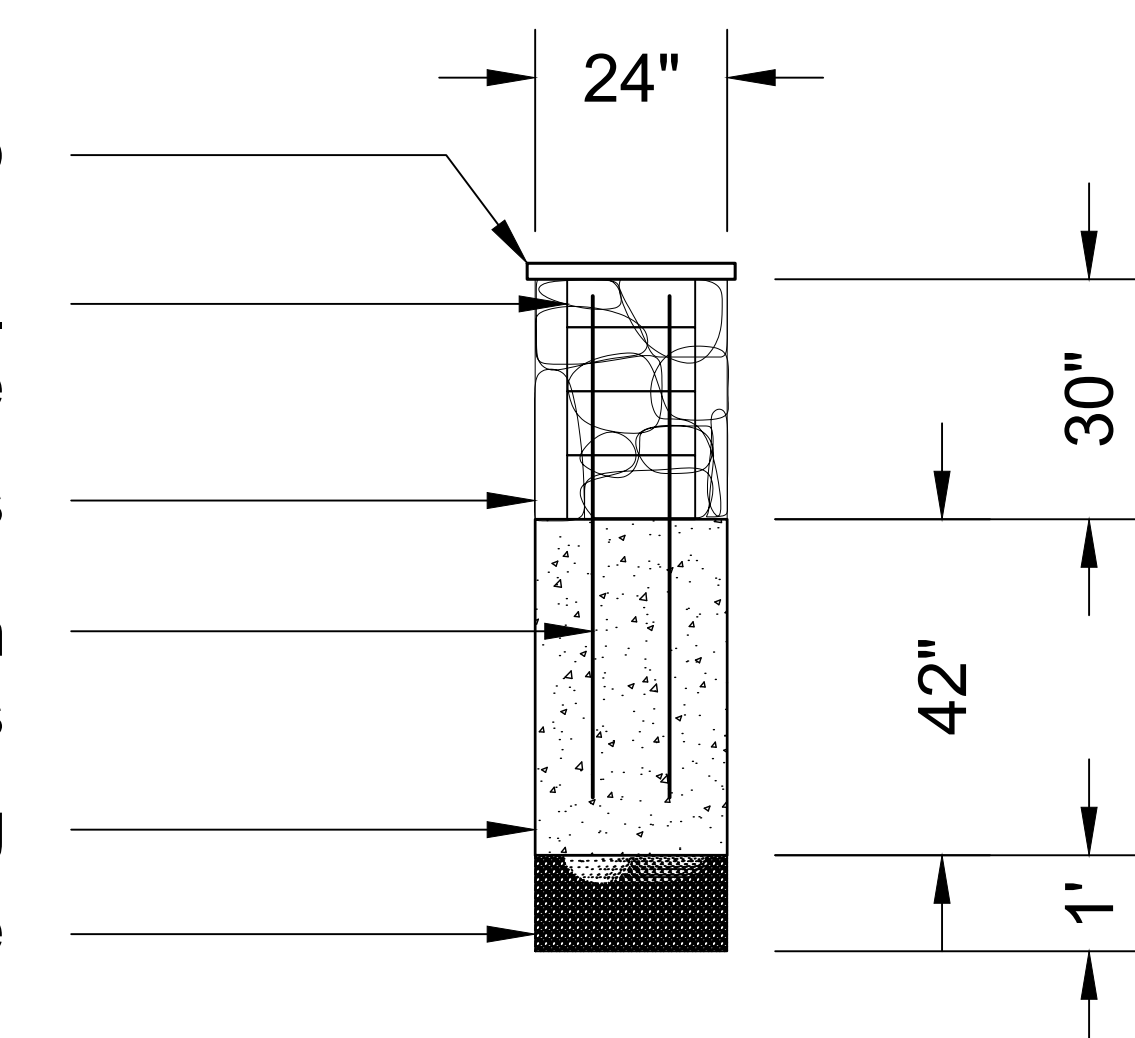
Clock Column Detail Scale 1/2" = 1' - 0"

Natural Field Stone Wall with a concrete core, typical. Fill all cap stone joints with mortar
Finished Grade
3/4" Compacted Crushed Stone Base

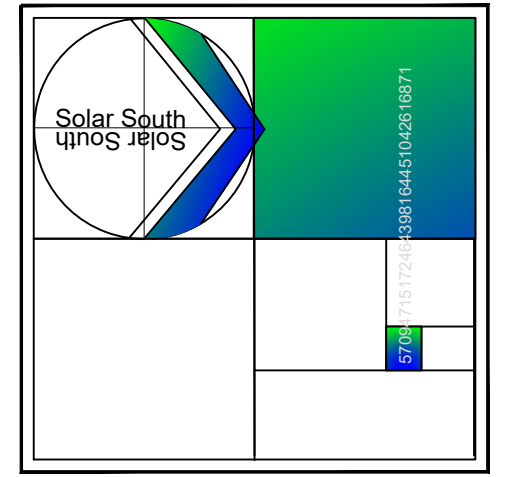


Stone Wall Detail Scale 1/2" = 1' - 0"

2" thick x 26"x26" Thermoaled Bluestone Cap
8"x16" CMU block core. Fill all cores with concrete
Natural Stone Veneer to match walls
1/2" Rebar from footing through to CMU block cores
42" deep x 24"x24" concrete footing
3/4" Compacted Crushed Stone Base

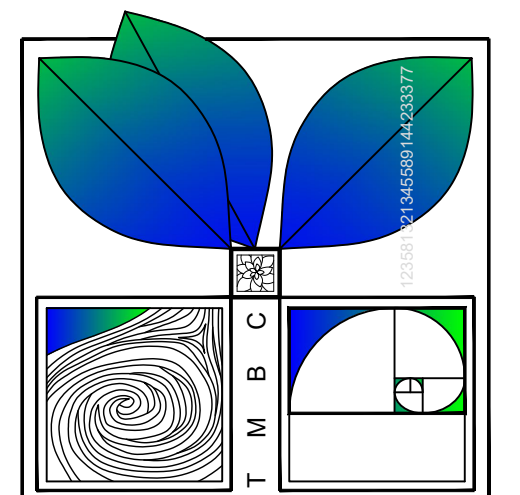


Column Detail Scale 1/2" = 1' - 0"



845-702-1004
11 South Fowlerhouse Road Wappinger Falls, New York 12590

The Michael Boice Collaboration
DESIGNERS AND MAKERS OF FINE LANDSCAPES
Mavis Tire Planting and Hardscape Notes
Hyde Park, New York



Scale | None
Date | April 9, 2016
Revisions |
mjb April 3, 2017 removed workman's comp note, added space to all fig. notes, hardscape notes, planting notes
mjb April 21, 2017 added column notes, notes
mjb April 3, 2018 planting 5