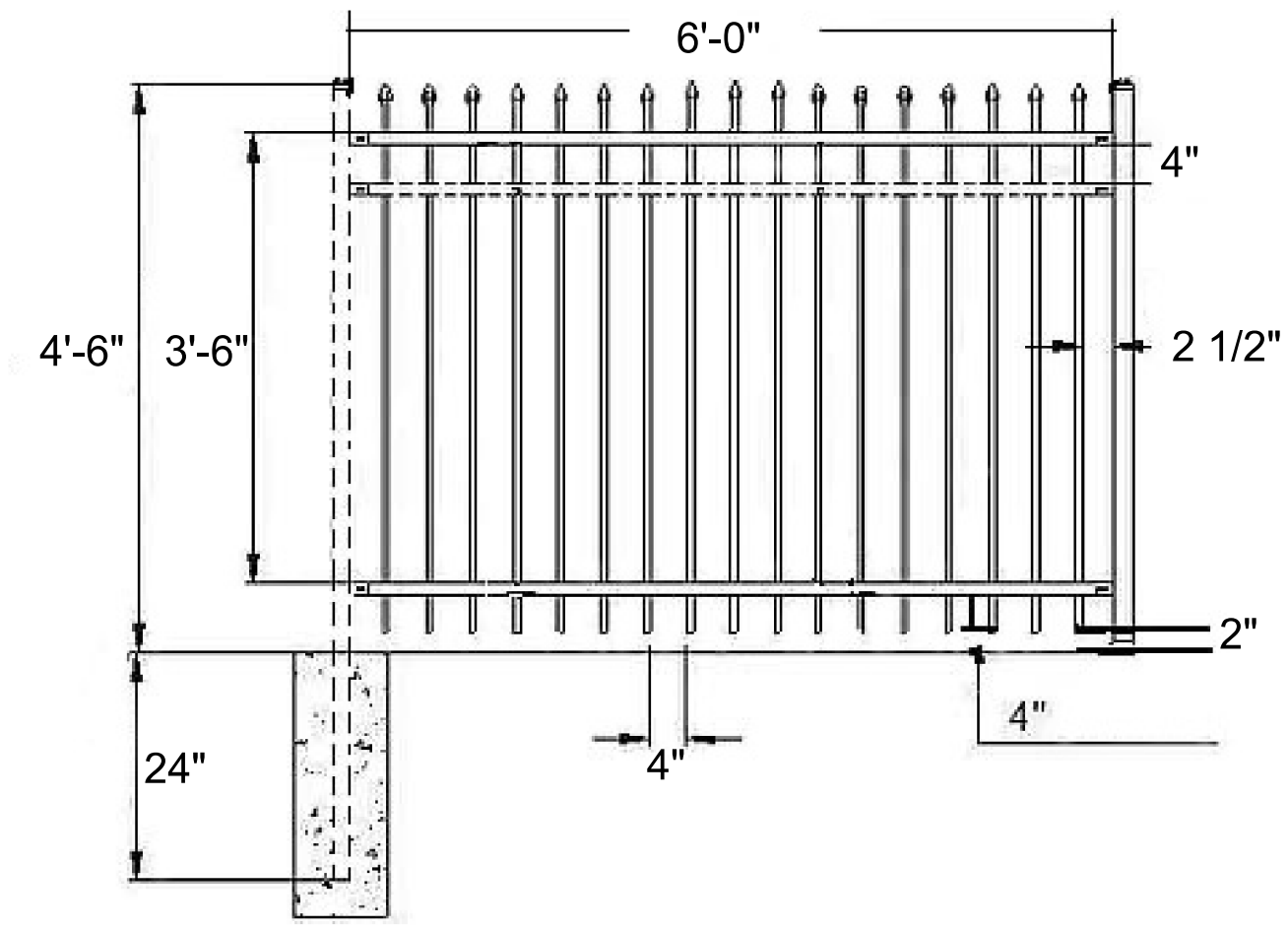
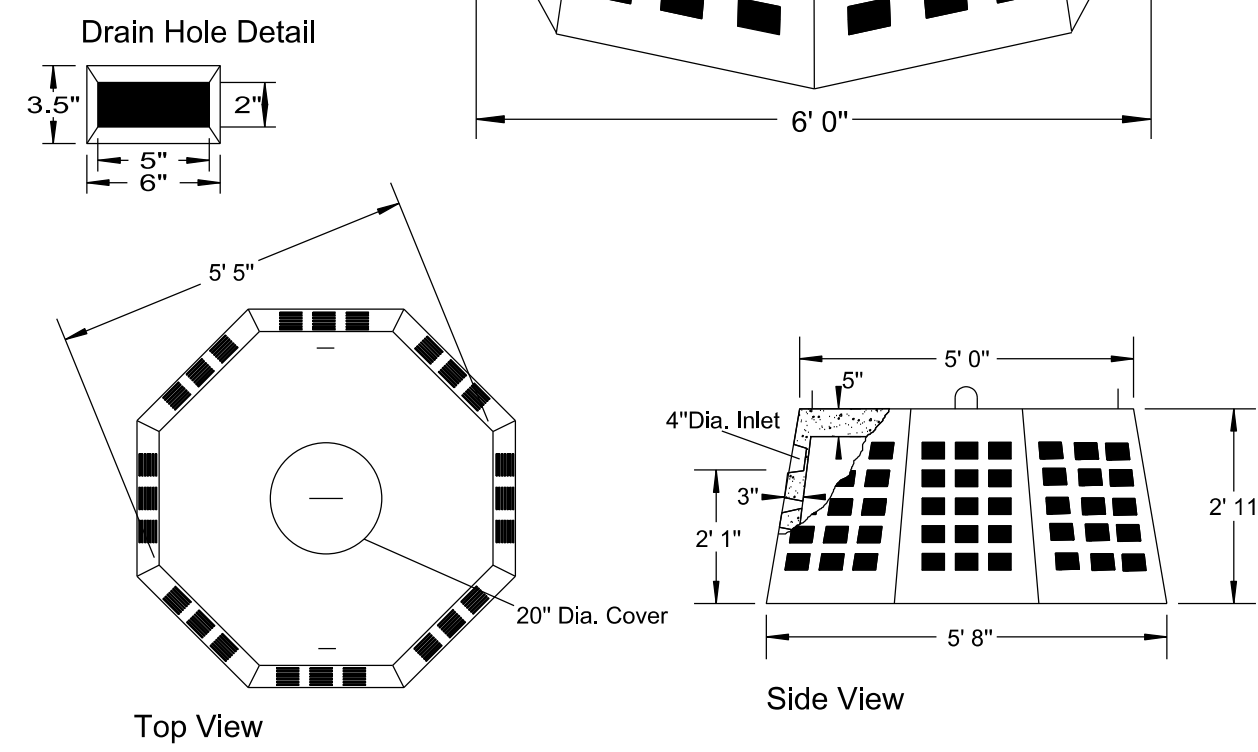


Steel Picket Fence (Black)

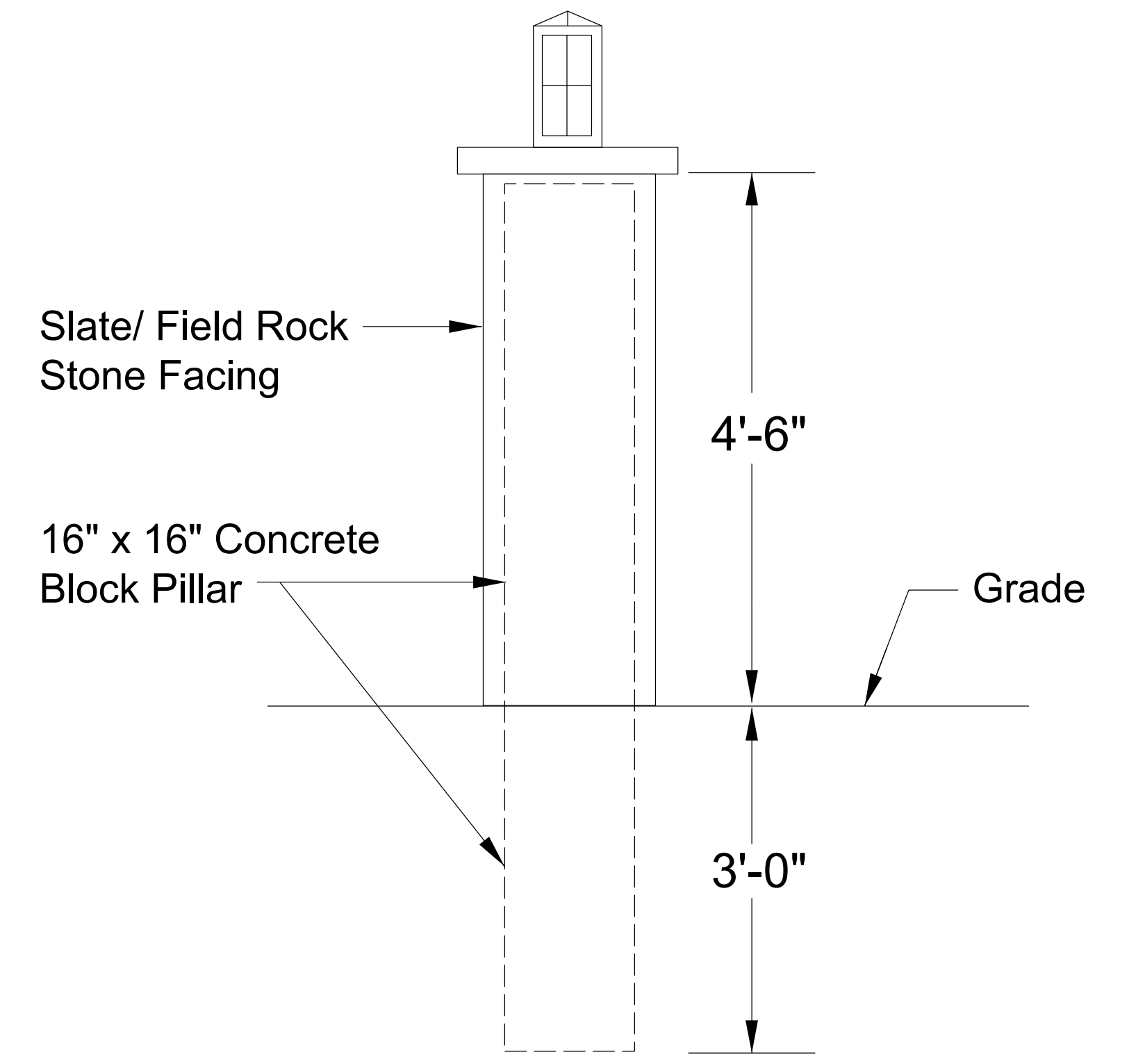
Not to Scale



Note: Backfill drywell structure with CA2 (2") crushed stone.



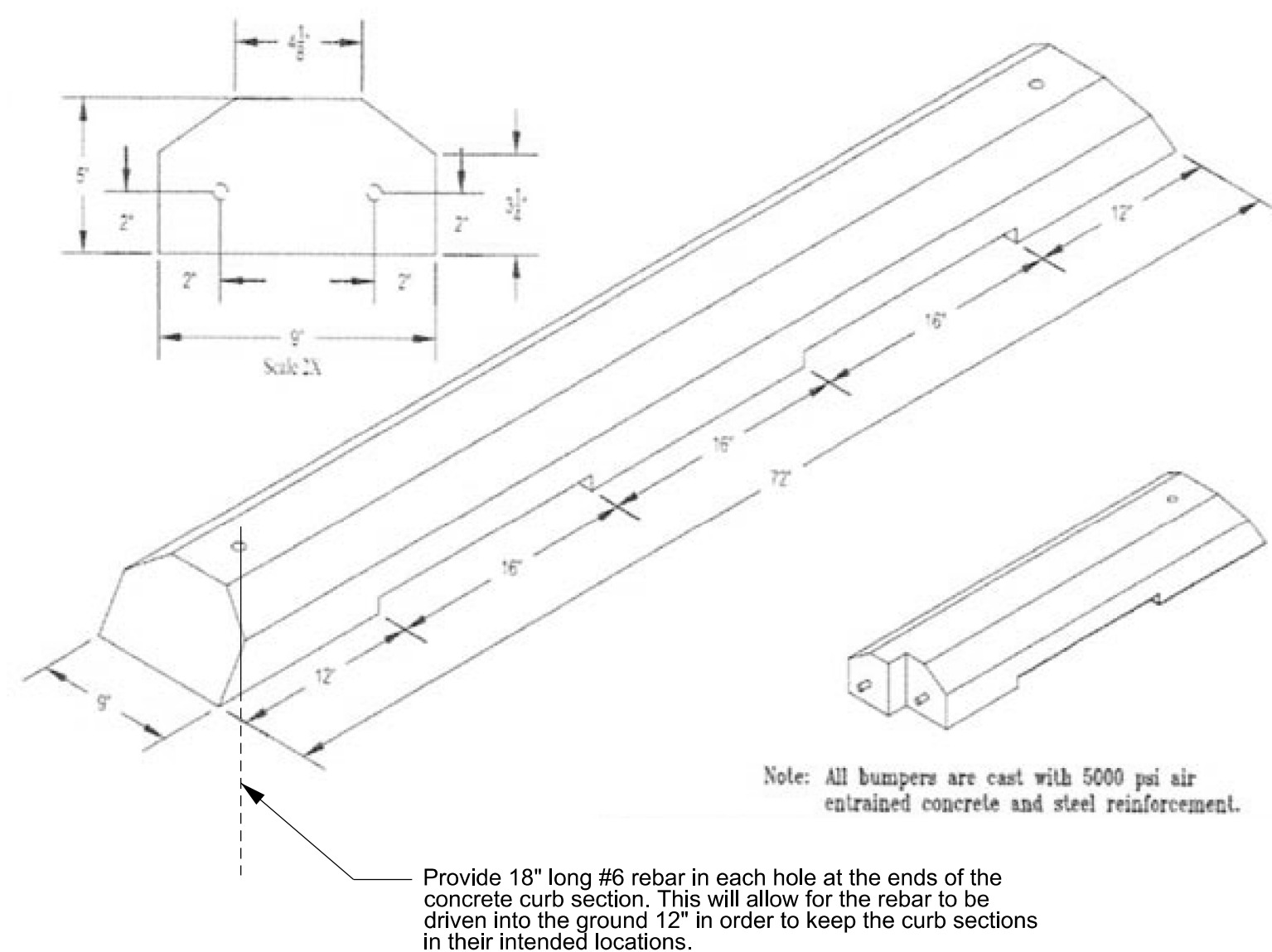
SPECIFICATIONS	
Concrete Min. Strength: 4,000 psi at 28 days	PRECAST DRY WELLS MODEL DW-3 (A) / 370 GALLONS Woodard's Concrete Products, Inc. 629 Lybolt Road, Bullville, NY 10915
Reinforcement: #3 Rebar	
Air Entrainment: 5%	
Capacity = 370 gallons Weight = 1820 lbs	
Sidewall Area = 44 square feet	
Load Rating: 300 psf (H20 available)	



Stone Pillar Detail

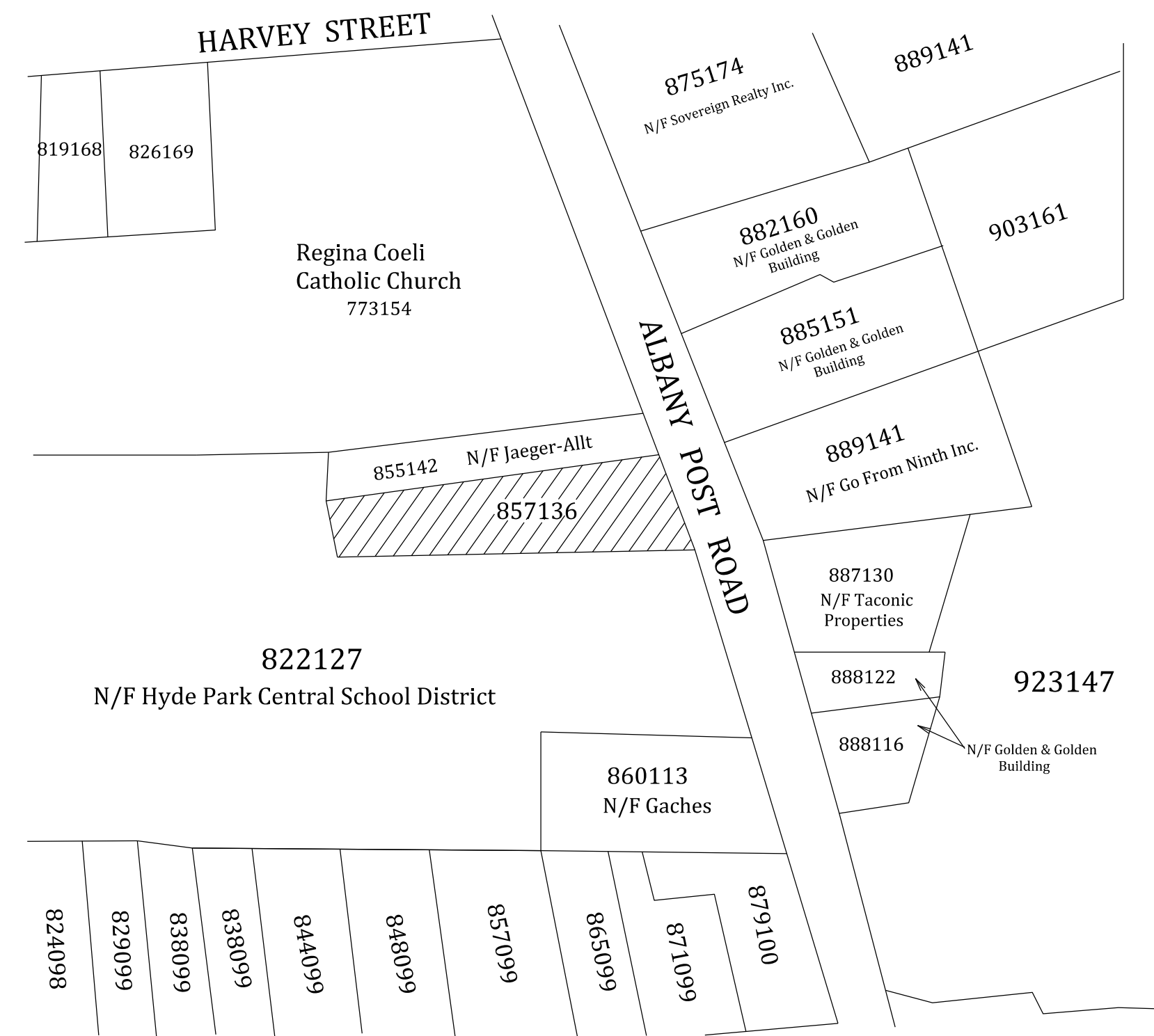
Not to Scale

Precast Concrete Curb Stops



TAX MAP

Not to Scale



BED & BREAKFAST SITE PLAN FOR NEW BUSINESS MR. PATRICK BARRY			
TAX MAP PARCEL # 07-6065-20-857136 4331 ALBANY POST ROAD (Route 9) HYDE PARK, N.Y. 12538 DUTCHESS COUNTY, NEW YORK			
SHEET	SCALE	DATE	BY:
3 OF 3	N.T.S.	02/13/17	PAUL TIRUMS, P.E. 16 FRIENDSHIP LANE POUGHKEEPSIE, N.Y. 12601
Revised: 03/06/17			